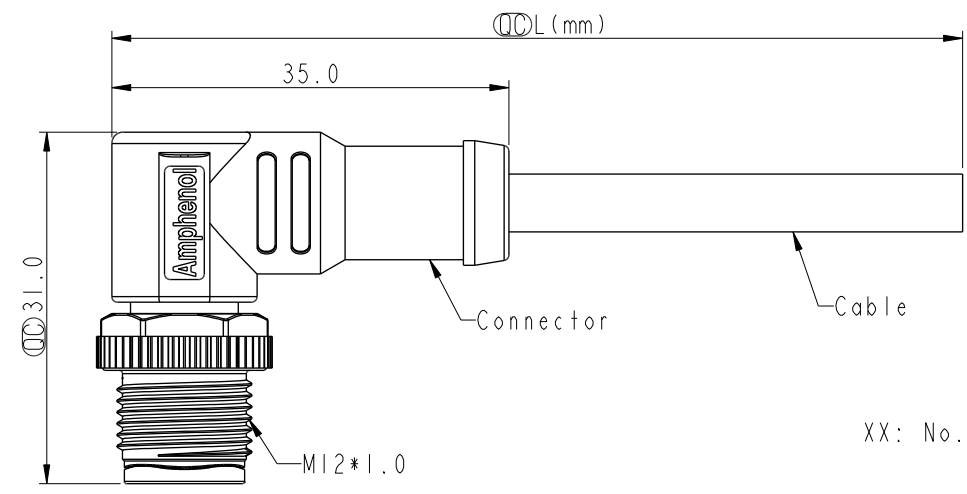
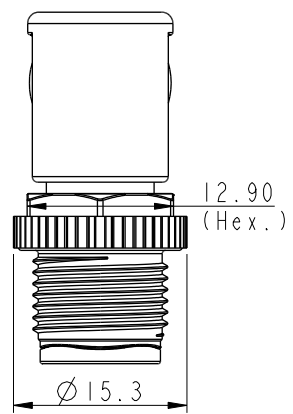
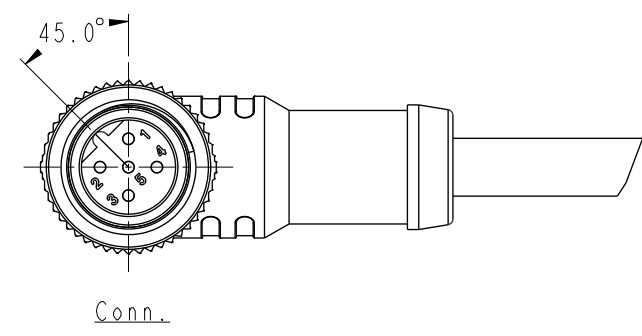


THIS DOCUMENT IS SUBJECT TO CHANGE WITHOUT NOTICE. IT IS CONFIDENTIAL AND A PROPERTY OF Amphenol LTW. DISCLOSURE TO THIRD PARTY HAS TO BE AUTHORIZED BY Amphenol LTW.

REV.	ECN NO.	DATE	SIGN	DESCRIPTION
C	C190180	2019/01/21	Ruru	Modify The Waterproof Rating
D	C201524	2020/10/05	Vicky	$\triangle D$ X4
E	C210211	2021/03/18	Ruru	$\triangle E$ X2



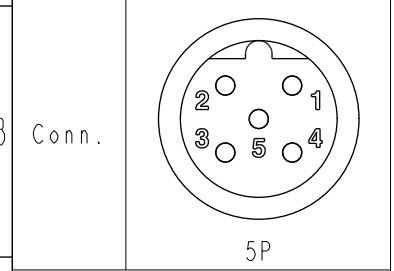
$\triangle D$
 MSBP-XXBMMM-SR8AXX
 XX: No. Of Pin
 $\triangle E$
 XX: 01~99Meters
 01: 01Meter
 02: 02Meters
 :
 99: 99Meters



- Note: $\triangle D$ $\triangle E$
- * RoHS Compliant
 - * ϕ Important dimension
 - * $\triangle C$ Waterproof rate: IPX8, mated 1m/24h
 IPX9K, mated
 - * Connector
 Housing: Thermoplastic, Black
 Pin: Copper alloy, Gold plated
 Nut: Thermoplastic, Black
 Outer mold: Thermoplastic, Black
 - * Cable: UL2517, 22#*5C, OD=5.1mm, PVC Jacket, Yellow
 - * Cable length tolerance: 1M: +50/-0 mm
 1M < L \leq 3M: +100/-0 mm
 3M < L \leq 5M: +150/-0 mm
 5M < L \leq 10M: ± 100 mm
 10M < L \leq 20M: ± 200 mm
 20M < L \leq 30M: ± 300 mm
 30M < L \leq 99M: ± 500 mm

Pin Out	Color	Wire
5	Gray	灰
4	Black	黑
3	Blue	藍
2	White	白
1	Brown	棕

Pin # Wire



Pin Assignments Front View

UNIT:mm		
TOLERANCE		
± 0.5 mm		

TITLE N SEN, M12 B -PLASTIC, SCREW CABLE W/O SR, M, M, MOLDING $\triangle E$			
SCALE 3:2	SIZE A4	SHEET 1 OF 1	
REV. E	WC-REV. A.2	ϕ : Inspection item	

Amphenol LTW
 安費諾亮泰企業股份有限公司

ITEM NO	DRAWN BY Ruru	DATE 2019-01-21
DWG NO $\triangle D$ MSBP-XXBMMM-SR8AXX	CHECKED BY Rita	DATE 2019-01-21
CUSTOMER ALTW	APPROVED BY Max	DATE 2019-01-21