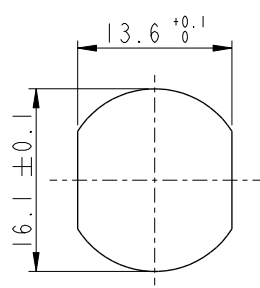


THIS DOCUMENT IS SUBJECT TO CHANGE WITHOUT NOTICE. IT IS CONFIDENTIAL AND A PROPERTY OF Amphenol LTW. DISCLOSURE TO THIRD PARTY HAS TO BE AUTHORIZED BY Amphenol LTW.

REV.	ECN NO.	DATE	SIGN	DESCRIPTION
F	C210076	2021/01/14	Vicky	$\triangle F$ X2
G	C210309	2021/03/09	Ruru	$\triangle G$ X3
H	C210782	2021/05/19	Ruru	$\triangle H$ X1

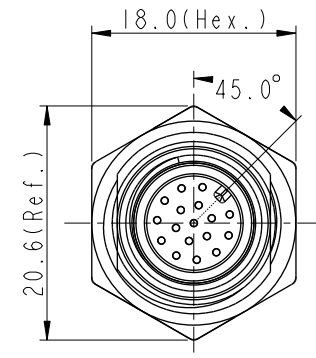
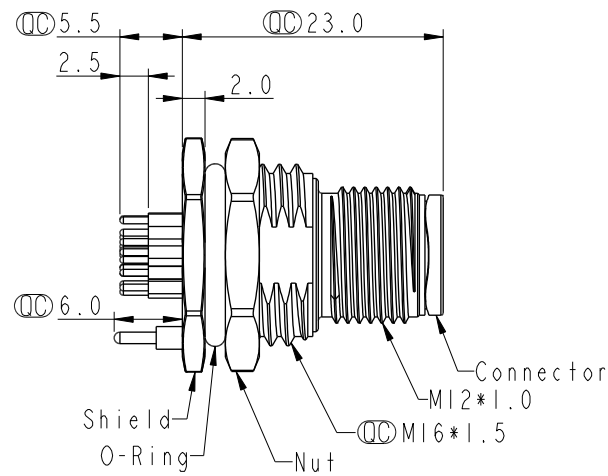
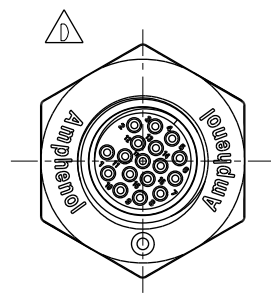


Recommended Panel Cut-Out

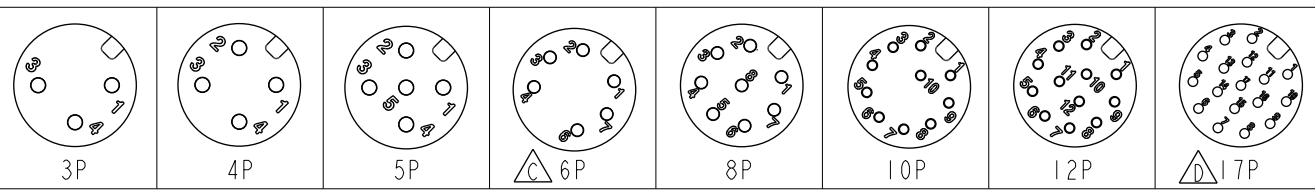
$\triangle B$

$\triangle E$
MSAS-XXPMMP-SF8002

XX: No. Of Pin



- $\triangle H \triangle E \triangle G$ Note:
- * RoHS Compliant
 - * CC Important dimension
 - $\triangle C$ * Waterproof rate: IPX8, unmated 1m/24h
IPX9K, unmated
 - * Connector
Housing: Thermoplastic, Black
Pin: Copper alloy, Gold plated
 - $\triangle F$ * Shield: Metal
 - $\triangle F$ * Nut: Metal
 - * O-Ring: Rubber, Black
 - * For panel thickness max: 4.5mm
 - * Nut is packed separately in pe bag



Pin Assignment Front View

UNIT: mm			TITLE N SEN, M12 A -SHLD, SCREW RECEPTACLE, M, M, PCB S $\triangle G$
TOLERANCE .X ±0.25 .XX ±0.1 .XXX ±0.05 ANGLES ±1°	SCALE 2:1	SIZE A4	SHEET 1 OF 2
REV. H	WC-REV. A.5	CC : Inspection item	

Amphenol LTW
安費諾亮泰企業股份有限公司

ITEM NO	DRAWN BY Yulong_wang	DATE 2016-08-10
DWG NO $\triangle E$ MSAS-XXPMMP-SF8002	CHECKED BY Jinhai	DATE 2016-08-10
CUSTOMER ALTW	APPROVED BY Jerry	DATE 2016-08-10