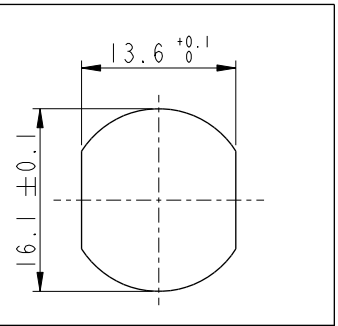
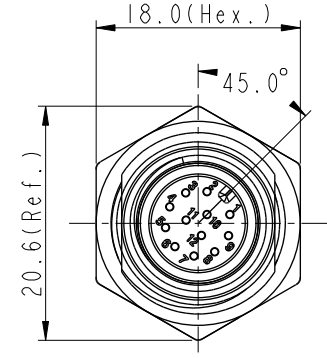
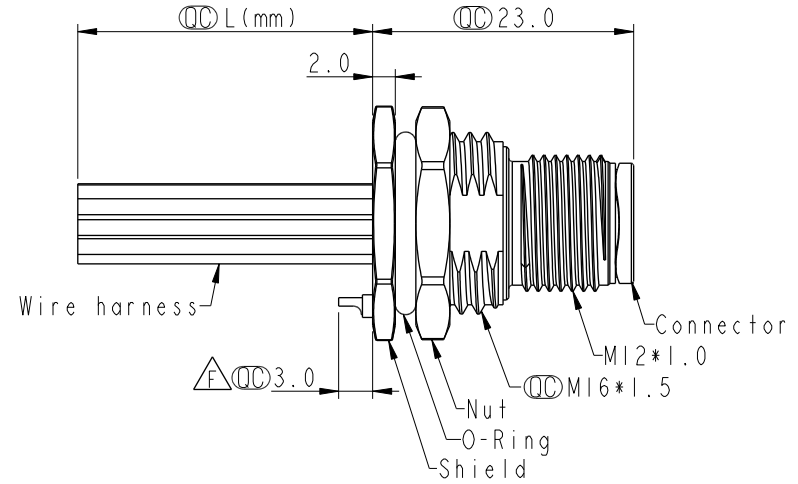
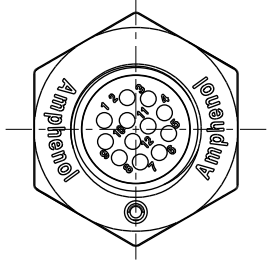


THIS DOCUMENT IS SUBJECT TO CHANGE WITHOUT NOTICE. IT IS CONFIDENTIAL AND A PROPERTY OF Amphenol LTW. DISCLOSURE TO THIRD PARTY HAS TO BE AUTHORIZED BY Amphenol LTW.

REV.	ECN NO.	DATE	SIGN	DESCRIPTION
D	C201627	2020/10/22	Vicky	$\triangle D$ X4
E	C210076	2021/01/14	Vicky	$\triangle E$ X2
F	C210241	2021/04/14	Ruru	$\triangle F$ X5



Recommended Panel Cut-Out

- Note: $\triangle B \triangle C \triangle D \triangle E \triangle F$
- * RoHS Compliant
 - * ⌀ Important dimension
 - * Waterproof rate: IPX8, unmated 1m/24h
IPX9K, unmated
 - * Connector
Housing: Thermoplastic, Black
Pin: Copper alloy, Gold plated
 - * Shield: Metal
 - * Nut: Metal
 - * O-Ring: Rubber, Black
 - * Wire harness: UL1061
 - * For panel thickness max: 4.5mm
 - * O-Ring and nut are assembled on connectors
 - * Wire harness tolerance: 100mm: $\pm 10\text{mm}$
100mm < L \leq 300mm: $\pm 15\text{mm}$
300mm < L \leq 1000mm: $\pm 20\text{mm}$
1000mm < L \leq 1500mm: $\pm 50\text{mm}$

UNIT: mm	⌀	⌀
TOLERANCE		
.X	± 0.25	
.XX	± 0.1	
.XXX	± 0.05	
ANGLES	$\pm 1^\circ$	

TITLE N SEN, M12 A -SHLD, SCREW RECEPTACLE, M, M, SOLDER $\triangle F$		
SCALE 1:1	SIZE A4	SHEET 1 OF 2
REV. F	WC-REV. A.5	⌀ : Inspection item

Amphenol LTW
安費諾亮泰企業股份有限公司

ITEM NO.	DRAWN BY Vicky	DATE 2019-09-24
DWG NO. $\triangle D$ MSAS-XXPMMS-SF8CXX	CHECKED BY Rita	DATE 2019-09-24
CUSTOMER ALTW	APPROVED BY Max	DATE 2019-09-24

THIS DOCUMENT IS SUBJECT TO CHANGE WITHOUT NOTICE. IT IS CONFIDENTIAL AND A PROPERTY OF AMPHENOL LTW. DISCLOSURE TO THIRD PARTY HAS TO BE AUTHORIZED BY AMPHENOL LTW.

12P	26	MSAS-12PMMS-SF8CXX
10P		MSAS-10PMMS-SF8CXX
8P	24	MSAS-08PMMS-SF8CXX
6P		MSAS-06PMMS-SF8CXX
Contacts	AWG	Item No.

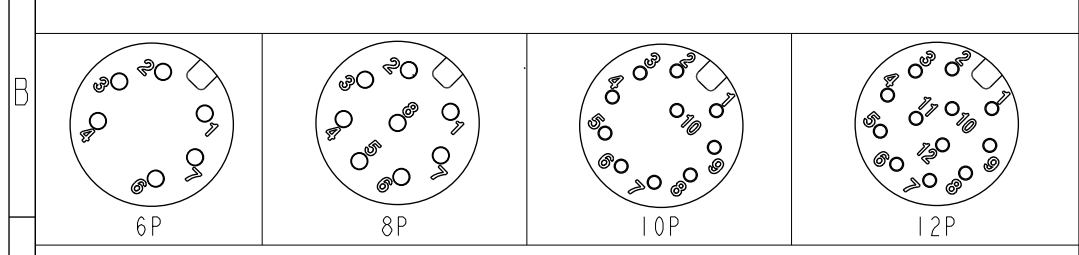


XX: No. Of Pin

10: 100mm
 15: 150mm
 20: 200mm
 }
 95: 950mm
 Cable Pitch Unit=50mm

 A0: 1000mm
 }
 A5: 1500mm
 Cable Pitch Unit=100mm
 Wire Length (L): 150~1500 mm

8	--	8	Red	紅	12	--	12	Red/Blue	紅/藍
7	Blue	7	Blue	藍	11	--	11	Gray/Pink	灰/粉
6	Pink	6	Pink	粉	10	Violet	10	Violet	紫
5	-	5	Gray	灰	9	Black	9	Black	黑
4	Yellow	4	Yellow	黃	8	Red	8	Red	紅
3	Green	3	Green	綠	7	Blue	7	Blue	藍
2	Brown	2	Brown	棕	6	Pink	6	Pink	粉
1	White	1	White	白	5	Gray	5	Gray	灰
Pin #	Wire	Pin #	Wire		Pin #	Wire	Pin #	Wire	



UNIT: mm		TITLE
TOLERANCE		N SEN, M12 A -SHLD, SCREW RECEPTACLE, M, M, SOLDER
.X ±0.25		SCALE 1:1
.XX ±0.1		SIZE A4
.XXX ±0.05		SHEET 2 OF 2
ANGLES ±1°		REV. F
		WC-REV. A.5

Amphenol LTW
 安費諾亮泰企業股份有限公司

ITEM NO	DRAWN BY	DATE
	Vicky	2019-09-24
DWG NO	CHECKED BY	DATE
MSAS-XXPMMS-SF8CXX	Rita	2019-09-24
CUSTOMER	APPROVED BY	DATE
ALTW	Max	2019-09-24