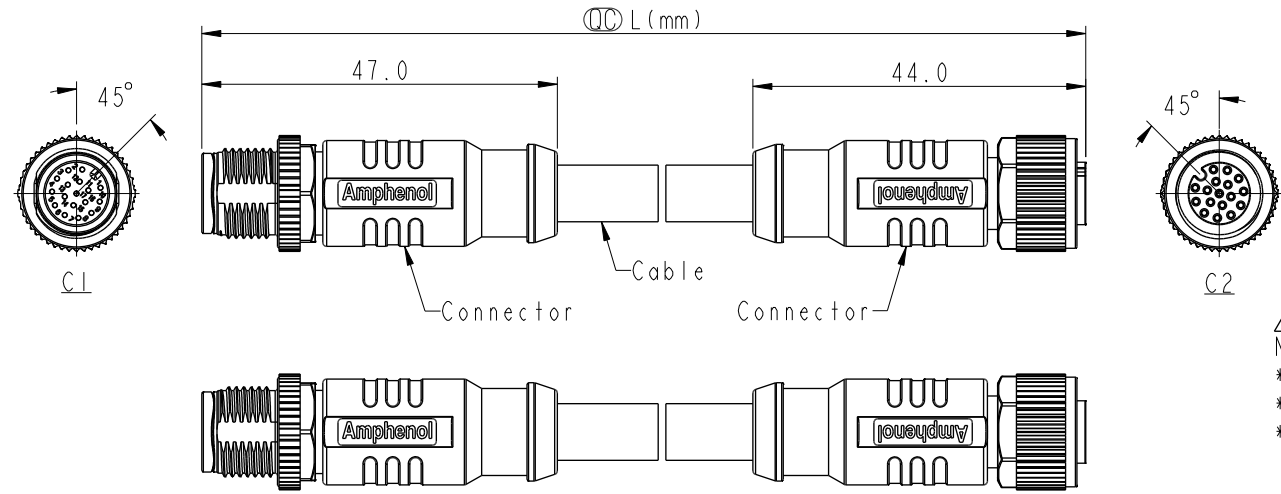


THIS DOCUMENT IS SUBJECT TO CHANGE WITHOUT NOTICE. IT IS CONFIDENTIAL AND A PROPERTY OF Amphenol LTW. DISCLOSURE TO THIRD PARTY HAS TO BE AUTHORIZED BY Amphenol LTW.

REV.	ECN NO.	DATE	SIGN	DESCRIPTION
B	C201747	2020/11/12	Vicky	$\triangle B$ X6
C	C210081	2021/01/19	Vicky	$\triangle C$ X2
D	C210550	2021/04/07	Vicky	$\triangle D$ X4



Note:

- \* RoHS Compliant
- \*  $\circ$  Important dimension
- \* C1  
Waterproof rate: IPX8, mated 1m/24h  
Housing: Thermoplastic, Black  
Pin: Copper alloy, Gold plated
- $\triangle C$  Nut: Metal  
Shield: Metal  
Outer Mold: Thermoplastic, Black
- \* C2  
Waterproof rate: IPX8, mated 1m/24h  
IPX9K, mated  
Housing: Thermoplastic, Black  
Pin: Copper alloy, Gold plated  
O-Ring: Rubber, Gray
- $\triangle C$  Nut: Metal  
Shield: Metal  
Outer Mold: Thermoplastic, Black
- \* Cable: UL2517, Shield, PVC Jacket, Black
- \* Cable Length Tolerance: 0.5M < L  $\leq$  1M: +60/-0 mm  
1M < L  $\leq$  3M: +120/-0 mm  
3M < L  $\leq$  5M: +160/-0 mm  
5M < L  $\leq$  10M:  $\pm$ 100 mm  
10M < L  $\leq$  20M:  $\pm$ 200 mm  
20M < L  $\leq$  30M:  $\pm$ 300 mm  
30M < L  $\leq$  99M:  $\pm$ 500 mm

UNIT: mm		TITLE ACC, SEN, A Code, DB-ENDED MF	$\triangle D$
TOLERANCE $\pm 0.5$ mm		SCALE 1:2	SIZE A4
		SHEET 1	OF 2
		REV. D	WC-REV. A.5
		$\circ$ : Inspection item	

**Amphenol LTW**  
安費諾亮泰企業股份有限公司

ITEM NO.	DRAWN BY Brady	DATE 2019-01-23
DWG NO. $\triangle$ MSASXML-SASFL-SDXXX	CHECKED BY Eagle	DATE 2019-01-23
CUSTOMER ALTW	APPROVED BY Neo	DATE 2019-01-23

