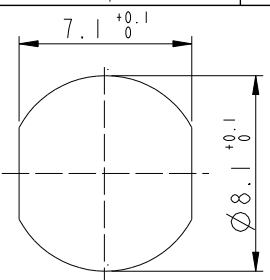
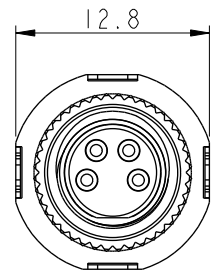
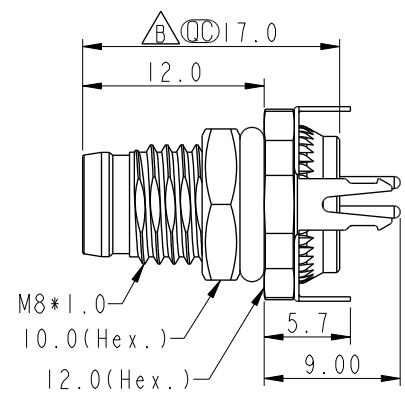
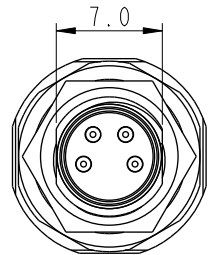


THIS DOCUMENT IS SUBJECT TO CHANGE WITHOUT NOTICE. IT IS CONFIDENTIAL AND A PROPERTY OF Amphenol LTW. DISCLOSURE TO THIRD PARTY HAS TO BE AUTHORIZED BY Amphenol LTW.

REV.	ECN NO.	DATE	SIGN	DESCRIPTION
A		2020/07/24	Brady	Initial Release
B	C210686	2021/05/12	Vicky	$\triangle B$ X4

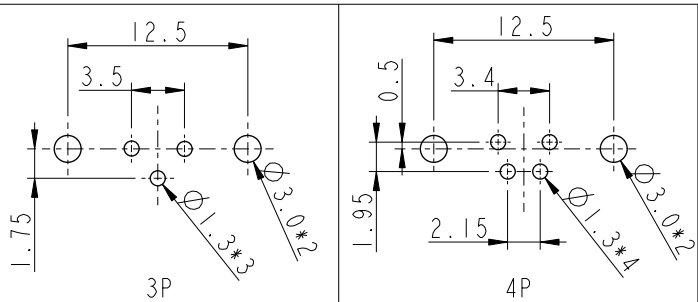


Recommended Panel Cut-Out

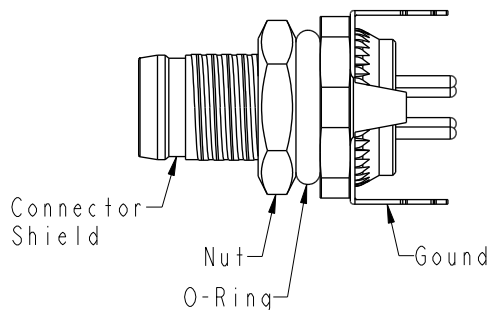


$\triangle B$
M8S-XXPMP-SF8001

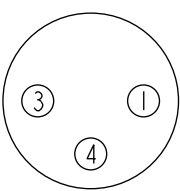
XX: No. Of Pin



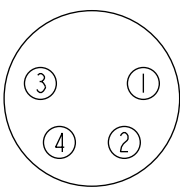
PCB Layout



- $\triangle B$ Note:
- * RoHS Compliant
 - * CC Important dimension
 - * Waterproof rate: IPX8, unmated 1m/24h
 - * Connector Housing: Thermoplastic, Black
 - * Pin: Copper alloy, Gold plated
 - * Shield: Metal
 - * Ground: Metal
 - * Nut: Metal
 - * O-Ring: Rubber, Green
 - * For panel thickness: 2.0~4.0mm
 - * For pcb thickness max: 1.6mm
 - * Nut is packed separately in pe bag



3P



4P

Pin Assignments Front View

UNIT: mm			TITLE N SEN, M8-SHLD, SCREW RECEPTACLE, M, M, PCB S	$\triangle B$
TOLERANCE .X ±0.25 .XX ±0.1 .XXX ±0.05 ANGLES ±1°	SCALE 2:1 SIZE A4 SHEET 1 OF 1		REV. B WC-REV. A.7	CC : Inspection item

Amphenol LTW
安費諾亮泰企業股份有限公司

ITEM NO	DRAWN BY Brady Chung	DATE 2020/07/24
DWG NO M8S-XXPMP-SF8001	CHECKED BY Eric Liao	DATE 2020/07/24
CUSTOMER ALTW	APPROVED BY Neo Tsai	DATE 2020/07/24