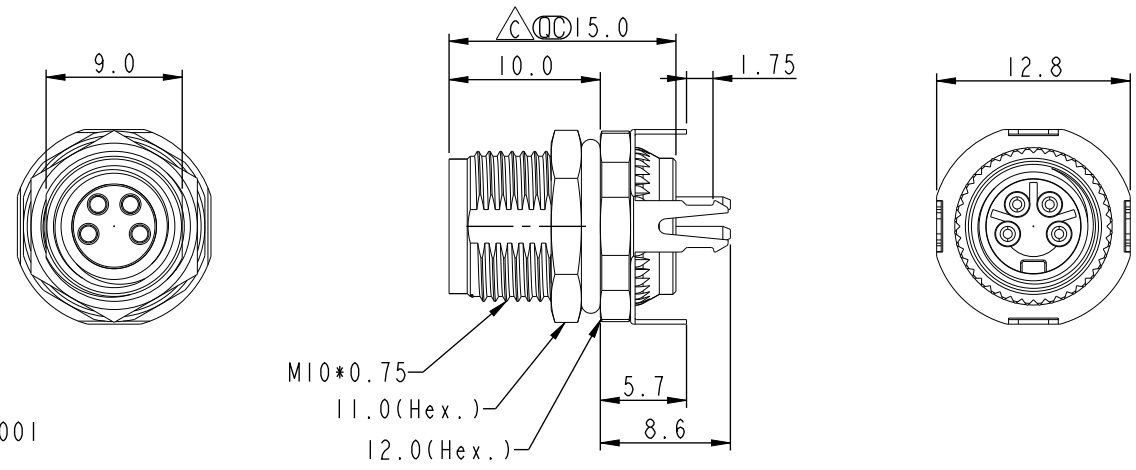


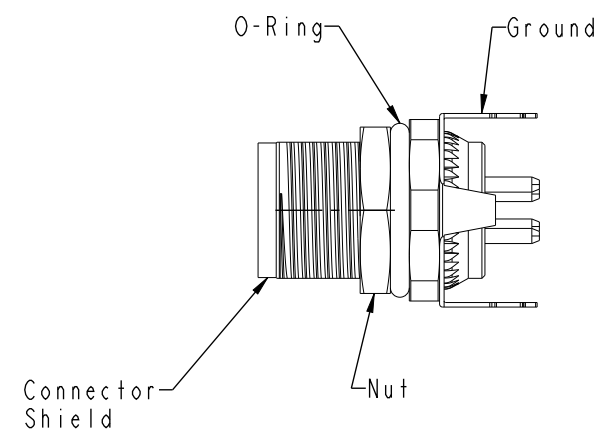
THIS DOCUMENT IS SUBJECT TO CHANGE WITHOUT NOTICE. IT IS CONFIDENTIAL AND A PROPERTY OF Amphenol LTW. DISCLOSURE TO THIRD PARTY HAS TO BE AUTHORIZED BY Amphenol LTW.

REV.	ECN NO.	DATE	SIGN	DESCRIPTION
C	C210686	2021/05/12	Vicky	△C X4
D	C221882	2022/12/19	Vicky	△D XI
E	C231562	2023/12/15	Hubert	△E XI



△C
M8S-XXPFFP-SF8001

XX: No. Of Pin



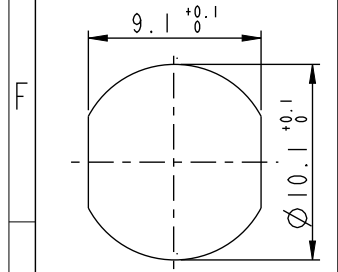
- △C Note:
- * RoHS Compliant
 - * Ⓞ Important dimension
 - △D * Waterproof rate: IP68, unmated 1m/24h
 - * Connector
 - Housing: Thermoplastic, Black
 - Pin: Copper alloy, Gold plated
 - O-Ring: Rubber, Green
 - * Shield: Metal
 - * Ground: Metal
 - * Nut: Metal
 - * O-Ring: Rubber, Green
 - * For panel thickness: 2.0~4.5mm
 - * For pcb thickness max: 1.6mm
 - * Nut is packed separately in pe bag

UNIT: mm		TITLE N SEN, M8-SHLD, SCREW RECEPTACLE, F, F, PCB S				ITEM NO		DRAWN BY	DATE
		TOLERANCE .X ±0.25 .XX ±0.1 .XXX ±0.05 ANGLES ±1°	SCALE 2:1	SIZE A4		SHEET 1 OF 2	DWG NO M8S-XXPFFP-SF8001	CHECKED BY Neo	DATE 2023/12/15
		REV. E	WC-REV. .0	Inspection item	CUSTOMER ALTW		APPROVED BY Fred	DATE 2023/12/15	8

Amphenol LTW
安費諾亮泰企業股份有限公司

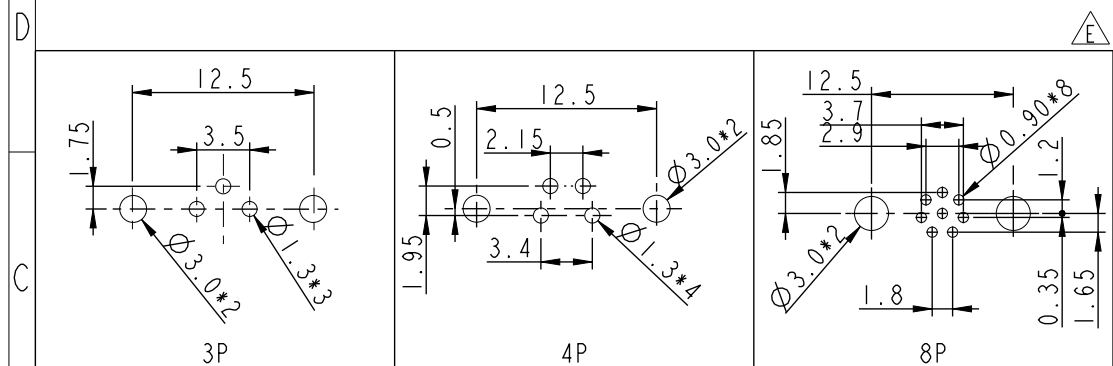
THIS DOCUMENT IS SUBJECT TO CHANGE WITHOUT NOTICE. IT IS CONFIDENTIAL AND A PROPERTY OF Amphenol LTW. DISCLOSURE TO THIRD PARTY HAS TO BE AUTHORIZED BY Amphenol LTW.

2 3 4 5 6 7 8

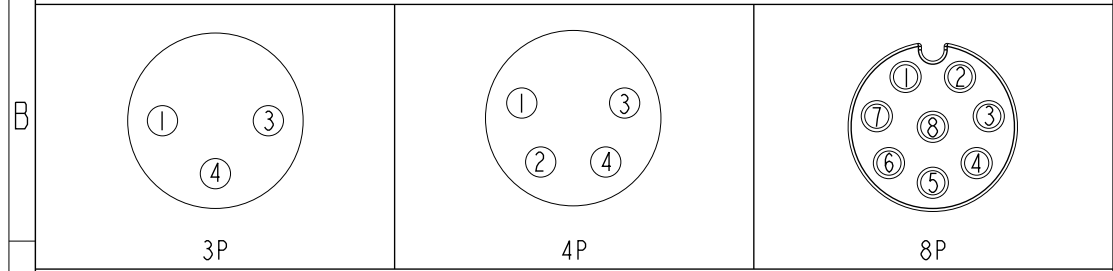


Recommended
Panel Cut-Out

F
E



PCB Layout



Pin Assignments Front View

UNIT: mm TOLERANCE	TITLE N SEN, M8-SHLD, SCREW RECEPTACLE, F, F, PCB S	
	SCALE 2:1	SIZE A4
	REV. E	WC-REV. .0
SHEET 2 OF 2		QC: Inspection item

Amphenol LTW
安費諾亮泰企業股份有限公司

ITEM NO	DRAWN BY Hubert	DATE 2023/12/15
DWG NO M8S-XXPFFP-SF8001	CHECKED BY Neo	DATE 2023/12/15
CUSTOMER ALTW	APPROVED BY Fred	DATE 2023/12/15

2 3 4 5 6 7 8 W10814-03-001A2