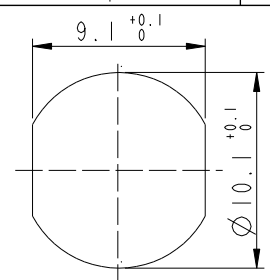
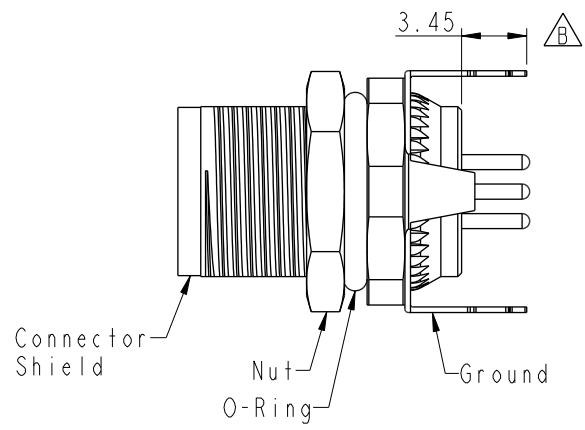
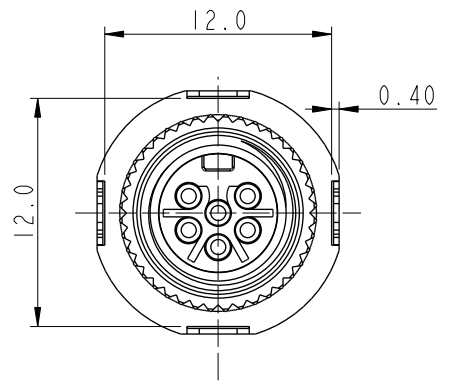
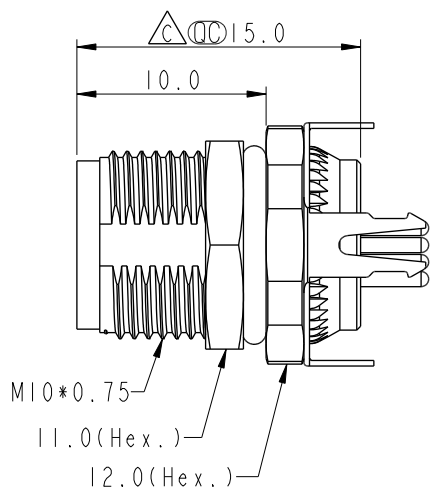
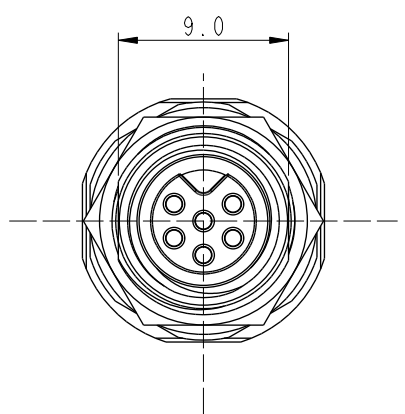


THIS DOCUMENT IS SUBJECT TO CHANGE WITHOUT NOTICE. IT IS CONFIDENTIAL AND A PROPERTY OF Amphenol LTW. DISCLOSURE TO THIRD PARTY HAS TO BE AUTHORIZED BY Amphenol LTW.

REV.	ECN NO.	DATE	SIGN	DESCRIPTION
B		2019/07/31	Ouyang	Change Drawing
C	C210686	2021/05/10	Vicky	$\triangle C$ X5



Recommended Panel Cut-Out



- \triangle Note:
- * RoHS Compliant
 - * Ⓞ Important dimension
 - * Waterproof rate: IPX8, unmated 1m/24h
 - * Connector
 - Housing: Thermoplastic, Black
 - Pin: Copper alloy, Gold plated
 - O-Ring: Rubber, Green
 - * Shield: Metal
 - * Ground: Metal
 - * Nut: Metal
 - * O-Ring: Rubber, Green
 - * For panel thickness: 2.0~4.5mm
 - * For pcb thickness max: 1.6mm
 - * Nut is packed separately in pe bag

UNIT: mm		
TOLERANCE	.X	±0.25
	.XX	±0.1
	.XXX	±0.05
ANGLES		±1°

TITLE N SEN, M8W/KEY-SHLD, SCREW RECEPTACLE, F, F, PCB S			
SCALE	SIZE	SHEET	OF
1:1	A4	1	2
REV.	WC-REV.	Ⓞ : Inspection item	
C	.0		

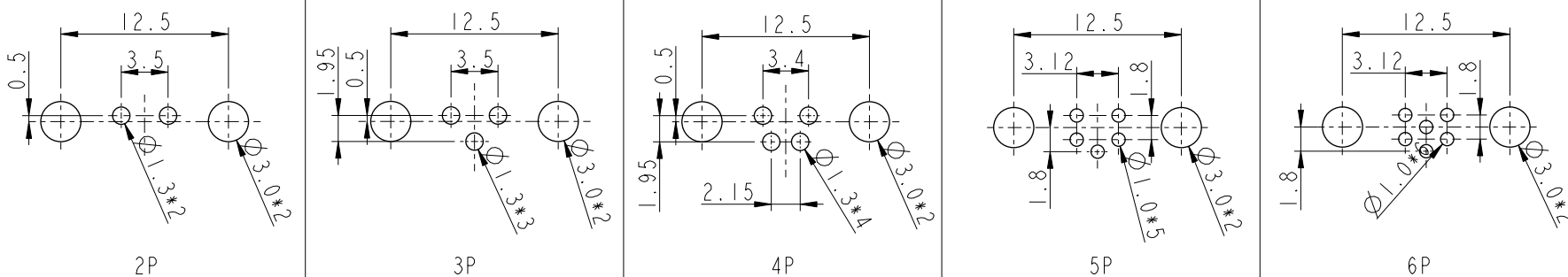
Amphenol LTW
安費諾亮泰企業股份有限公司

ITEM NO.	DRAWN BY	DATE
	Ouyang	2019-07-31
DWG NO.	CHECKED BY	DATE
M8AS-XXPFFP-SF8001	Jerry	2019-07-31
CUSTOMER	APPROVED BY	DATE
ALTW	Fred	2019-07-31

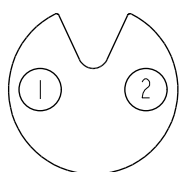
THIS DOCUMENT IS SUBJECT TO CHANGE WITHOUT NOTICE. IT IS CONFIDENTIAL AND A PROPERTY OF Amphenol LTW. DISCLOSURE TO THIRD PARTY HAS TO BE AUTHORIZED BY Amphenol LTW.

△
M8AS-XXPFFP-SF8001

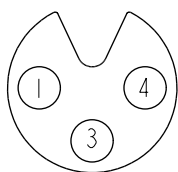
XX: No. Of Pin



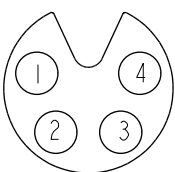
PCB Layout



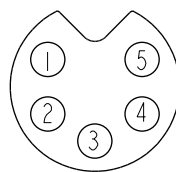
2P



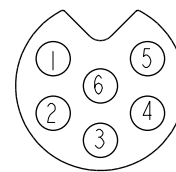
3P



4P



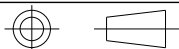
5P



6P

Pin Assignments Front View

UNIT: mm



TOLERANCE
.X ±0.25
.XX ±0.1
.XXX ±0.05
ANGLES ±1°

TITLE N SEN, M8W/KEY-SHLD, SCREW RECEPTACLE, F, F, PCB S				△
SCALE 1:1	SIZE A4	SHEET 2 OF 2		
REV. C	WC-REV. .0	QC: Inspection item		

Amphenol LTW
安費諾亮泰企業股份有限公司

ITEM NO	DRAWN BY Ouyang	DATE 2019-07-31
DWG NO M8AS-XXPFFP-SF8001	CHECKED BY Jerry	DATE 2019-07-31
CUSTOMER ALTW	APPROVED BY Fred	DATE 2019-07-31