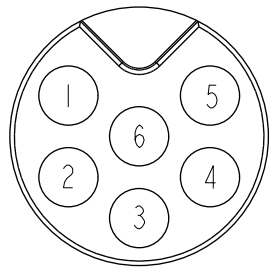
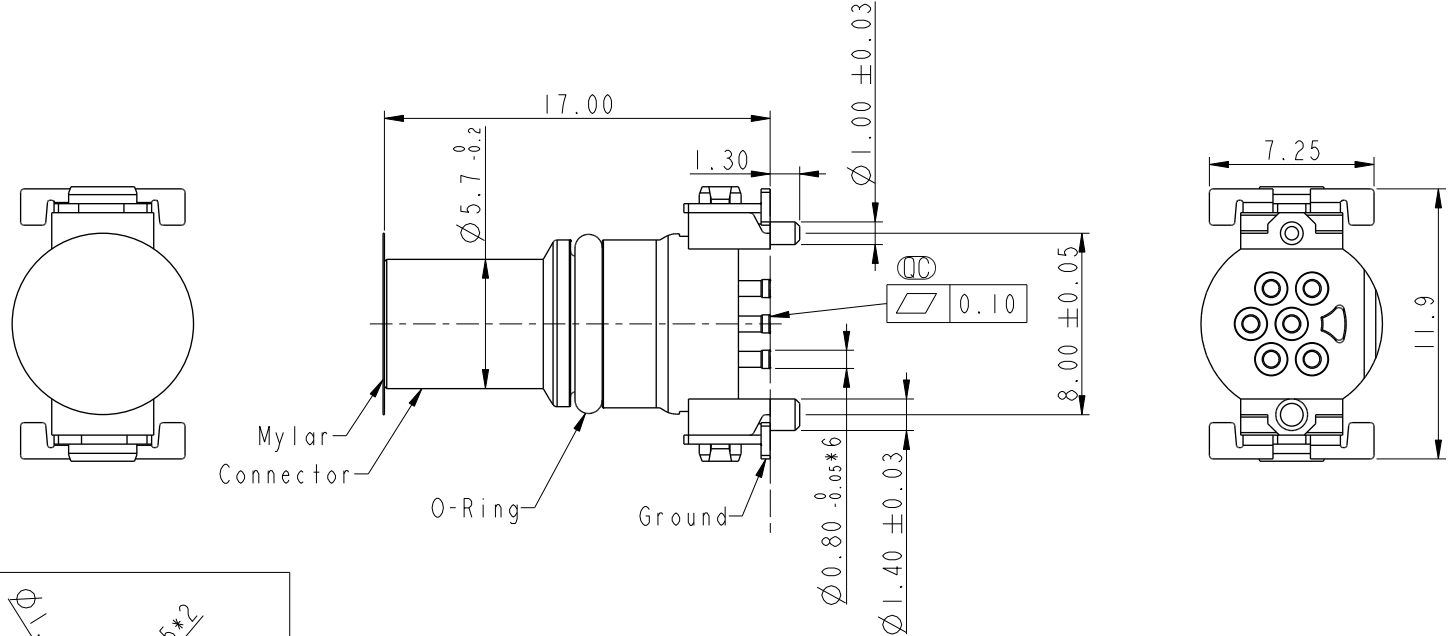
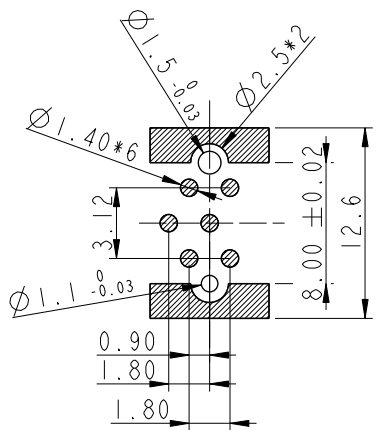


REV.	ECN NO.	DATE	SIGN	DESCRIPTION
A		2020/12/29	Eagle	New Released
B	C210686	2021/05/12	Vicky	$\triangle B$ X5

M8A-XXPFFT-EE0001
 $\triangle B$ XX: No. Of Pin



6P
Pin Assignments
Front View



6P
PCB Layout

- $\triangle B$ Note:
- * RoHS Compliant
 - * CC Important dimension
 - * Waterproof rate: Non-Waterproof
 - * Connector
 - Housing: Thermoplastic, Black
 - Pin: Copper alloy, Gold plated
 - O-Ring: Rubber, Gray
 - * Ground: Metal
 - * Mylar: PI, Amber

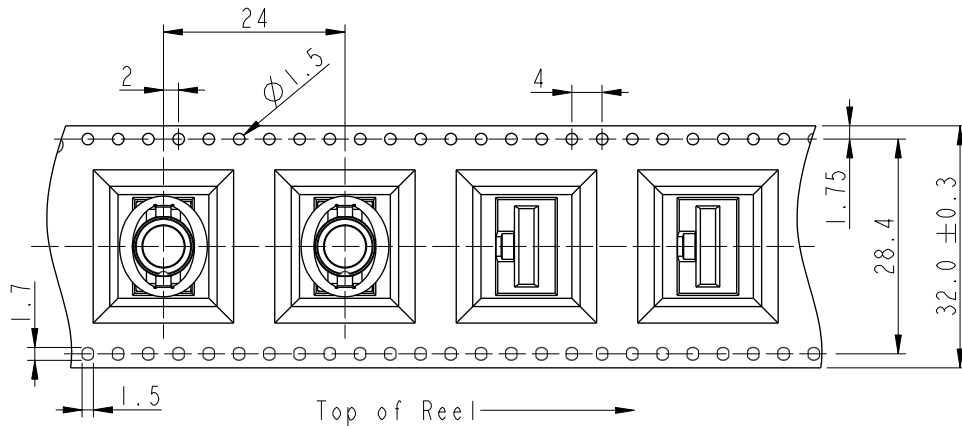
UNIT:mm		TITLE N SEN, M8 W/KEY, NONE RECEPTACLE, F, F, PCB SMT	$\triangle B$
TOLERANCE .X ±0.25 .XX ±0.1 .XXX ±0.05 ANGLES ±1°		SCALE 3:1	SIZE A4
		REV. B	WC-REV. A.1
		SHEET 1 OF 3 CC : Inspection item	

Amphenol LTW
 安費諾亮泰企業股份有限公司

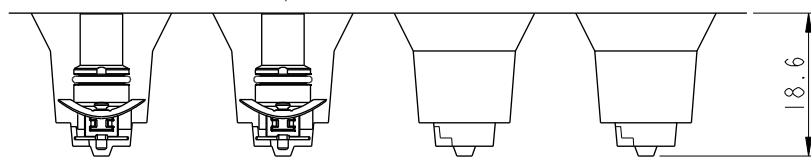
ITEM NO	DRAWN BY Eagle	DATE 2020-12-29
DWG NO M8A-XXPFFT-EE0001	CHECKED BY Aric	DATE 2020-12-29
CUSTOMER ALTW	APPROVED BY Max	DATE 2020-12-29

THIS DOCUMENT IS SUBJECT TO CHANGE WITHOUT NOTICE. IT IS CONFIDENTIAL AND A PROPERTY OF Amphenol LTW. DISCLOSURE TO THIRD PARTY HAS TO BE AUTHORIZED BY Amphenol LTW.

Tape & Reel Information:

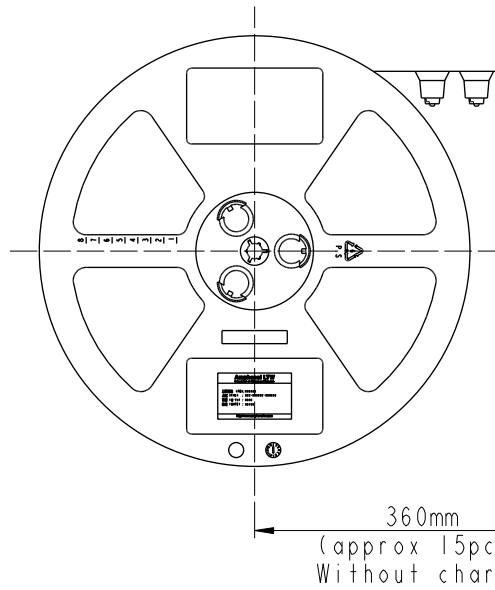
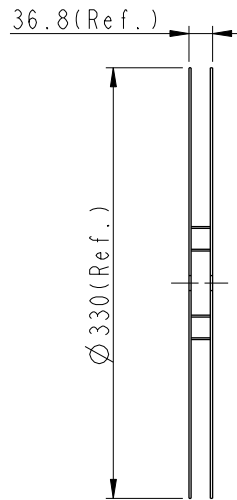


Note:
 * Connector Orientation Follow Drawing



Wide Cover Tape Around
 Out Periphery 1 Turn

Peeling Strength 0.1~1.3N Max.
 (300±10mm/min)
 Peeling Angle
 165~180°



Top of Reel →

100 PCS/Reel
 With Product Charge

360mm
 (approx 15pcs)
 Without Charge

UNIT: mm		
TOLERANCE	.X ±0.25	
	.XX ±0.1	
	.XXX ±0.05	
ANGLES	±1°	

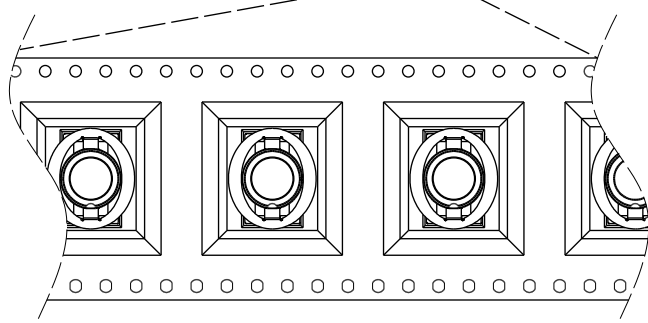
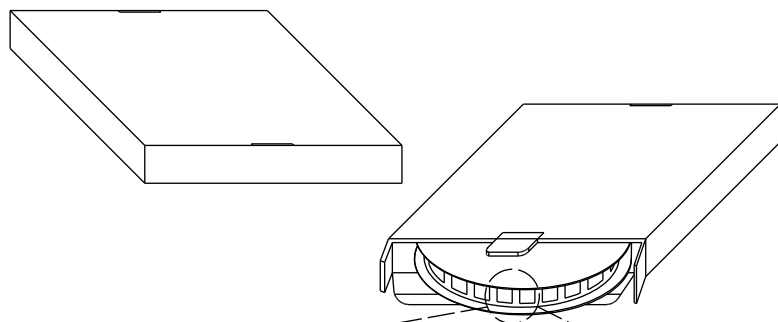
TITLE N SEN, M8 W/KEY, NONE RECEPTACLE, F, F, PCB SMT			
SCALE Free	SIZE A4	SHEET 2 OF 3	
REV. B	WC-REV. A.1	Inspection item	

Amphenol LTW
 安費諾亮泰企業股份有限公司

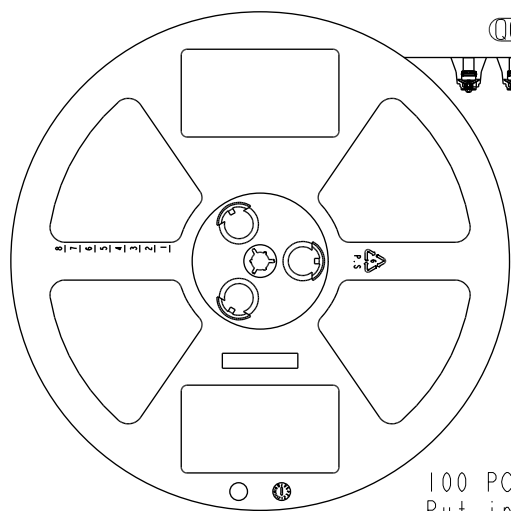
ITEM NO	DRAWN BY Eagle	DATE 2020-12-29
DWG NO M8A-XXPFFT-EE0001	CHECKED BY Aric	DATE 2020-12-29
CUSTOMER ALTW	APPROVED BY Max	DATE 2020-12-29

THIS DOCUMENT IS SUBJECT TO CHANGE WITHOUT NOTICE. IT IS CONFIDENTIAL AND A PROPERTY OF Amphenol LTW. DISCLOSURE TO THIRD PARTY HAS TO BE AUTHORIZED BY Amphenol LTW.

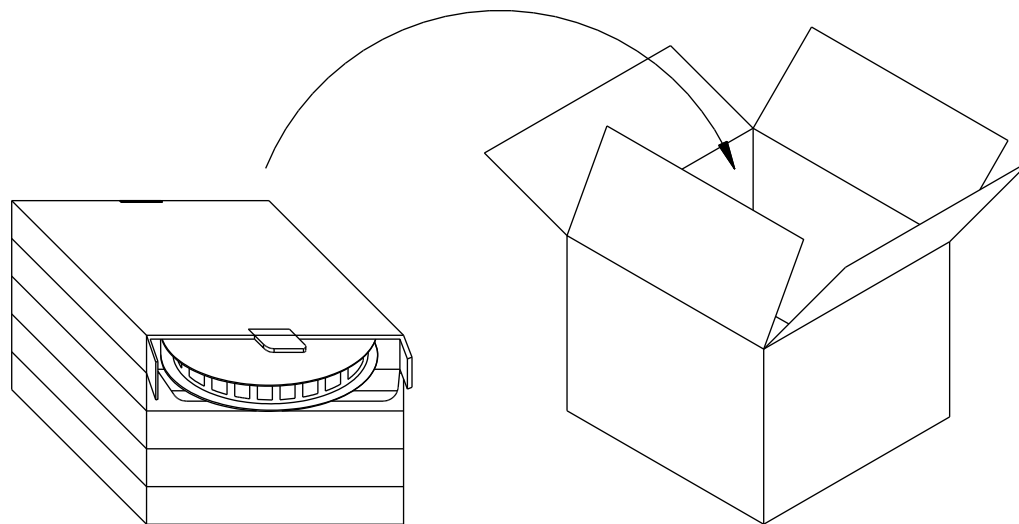
Package:



出料方向 →

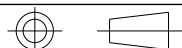


100 PCS(Connector)/Tape&Reel,
Put in a Box



One Carton can put in the 5PCS(Max.) Box
(500 PCS/Carton)

UNIT:mm



TOLERANCE
.X ±0.25
.XX ±0.1
.XXX ±0.05
ANGLES ±1°

TITLE N SEN, M8 W/KEY, NONE RECEPTACLE, F, F, PCB SMT			△B
SCALE Free	SIZE A4	SHEET 3 OF 3	
REV. B	WC-REV. A.1	◎: Inspection item	

Amphenol LTW
安費諾亮泰企業股份有限公司

ITEM NO	DRAWN BY Eagle	DATE 2020-12-29
DWG NO M8A-XXPFFT-EE0001	CHECKED BY Aric	DATE 2020-12-29
CUSTOMER ALTW	APPROVED BY Max	DATE 2020-12-29