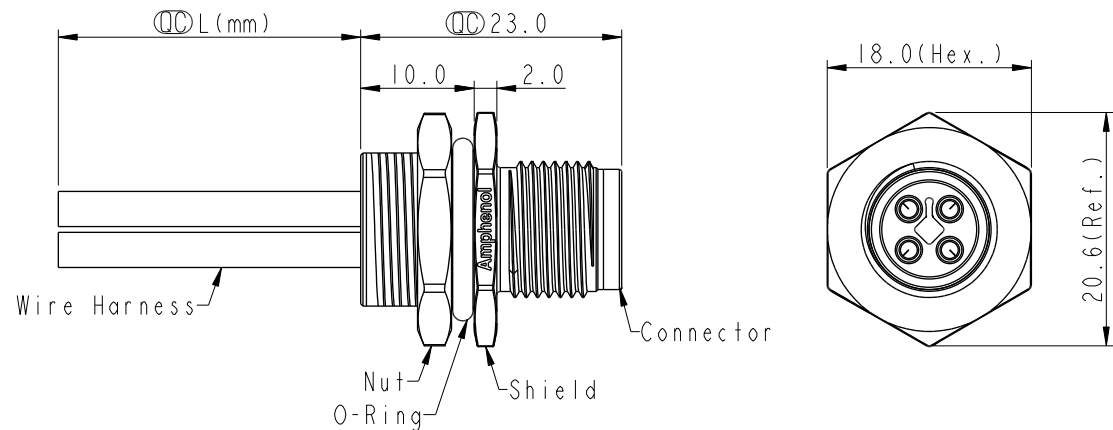
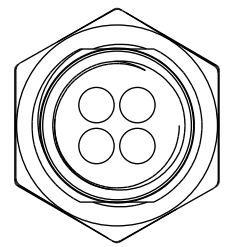
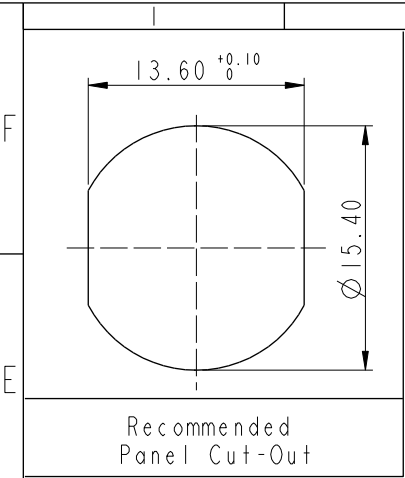
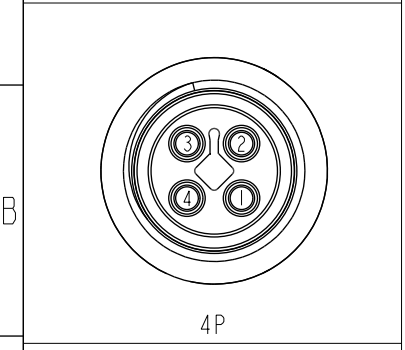


THIS DOCUMENT IS SUBJECT TO CHANGE WITHOUT NOTICE. IT IS CONFIDENTIAL AND A PROPERTY OF Amphenol LTW. DISCLOSURE TO THIRD PARTY HAS TO BE AUTHORIZED BY Amphenol LTW.

REV.	ECN NO.	DATE	SIGN	DESCRIPTION
D	C201549	2020/10/20	Vicky	X4
E	C210025	2021/01/20	Vicky	X2
F	C210593	2021/04/19	Ruru	X3



Pin #	Wire	顏色
4	Black	黑
3	Blue	藍
2	White	白
1	Brown	棕



Pin Assignments Front View

MI2T-XXPMMS-SH8BXX

XX: No. Of Pin

10: 100mm  
 15: 150mm  
 20: 200mm  
 ↓  
 95: 950mm  
 Cable Pitch Unit: 50mm

A0: 1000mm  
 ↓  
 A5: 1500mm  
 Cable Pitch Unit: 100mm  
 Wire Length(L): 150~1500mm

Note:

- \* RoHS Compliant
- \* Important dimension
- \* Waterproof rate: IPX8, unmated 1m/24h
- \* Connector Housing: Thermoplastic, Black
- \* Pin: Copper alloy, Gold plated
- \* Shield: Metal
- \* Nut: Metal
- \* O-Ring: Rubber, Black
- \* Wire harness: UL1015, 16AWG
- \* For panel thickness max: 4.5mm
- \* O-Ring and nut are assembled on connectors
- \* Wire harness tolerance: 100mm: ±10mm  
 100mm < L ≤ 300mm: ±15mm  
 300mm < L ≤ 1000mm: ±20mm  
 1000mm < L ≤ 1500mm: ±50mm

UNIT:mm		
TOLERANCE	.X ±0.25	
	.XX ±0.1	
	.XXX ±0.05	
ANGLES	±1°	

TITLE N SEN, M12 T, SCREW RECEPTACLE, M, M, SOLDER			
SCALE 1:1	SIZE A4	SHEET 1 OF 1	
REV. F	WC-REV. A.2	: Inspection item	

**Amphenol LTW**  
 安費諾亮泰企業股份有限公司

ITEM NO	DRAWN BY Vicky	DATE 2019-09-20
DWG NO MI2T-XXPMMS-SH8BXX	CHECKED BY Rita	DATE 2019-09-20
CUSTOMER ALTW	APPROVED BY Max	DATE 2019-09-20