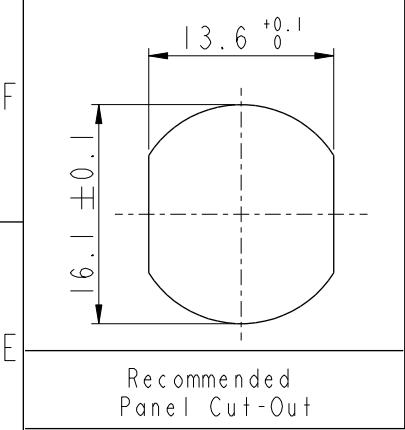
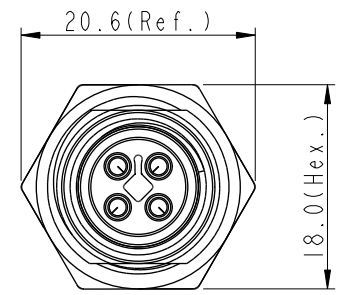
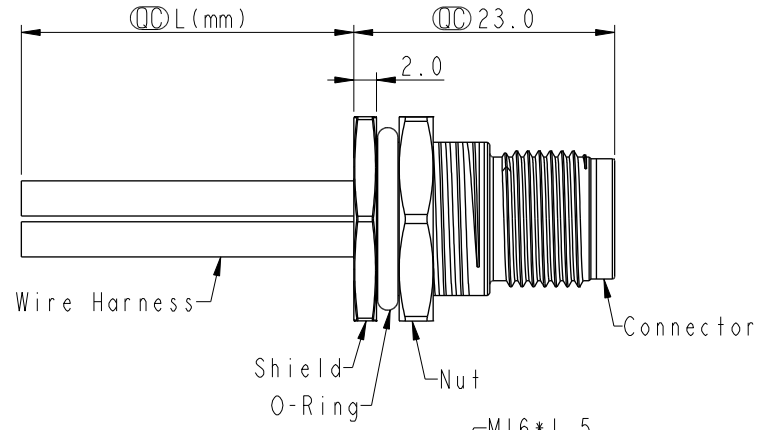
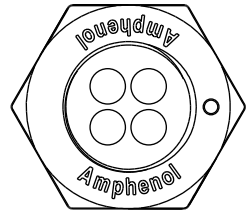


THIS DOCUMENT IS SUBJECT TO CHANGE WITHOUT NOTICE. IT IS CONFIDENTIAL AND A PROPERTY OF Amphenol LTW. DISCLOSURE TO THIRD PARTY HAS TO BE AUTHORIZED BY Amphenol LTW.

REV.	ECN NO.	DATE	SIGN	DESCRIPTION
D	C201549	2020/10/20	Vicky	$\triangle D$ X4
E	C210025	2021/01/20	Vicky	$\triangle E$ X2
F	C210593	2021/04/19	Ruru	$\triangle F$ X3

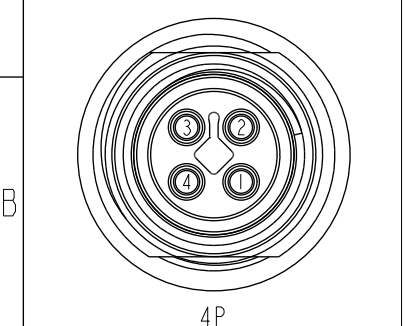


Recommended Panel Cut-Out



4	Black	黑
3	Blue	藍
2	White	白
1	Brown	棕

Pin # Wire  
Pin Out



4P

Pin Assignments Front View

$\triangle C \triangle D \triangle E \triangle F$   
M12T-XXPMS-SF8CXX  
XX: No. Of Pin

10: 100mm  
15: 150mm  
20: 200mm  
┆  
95: 950mm  
Cable Pitch Unit: 50mm  
  
A0: 1000mm  
┆  
A5: 1500mm  
Cable Pitch Unit: 100mm  
Wire Length(L): 150~1500mm

Note:  $\triangle B \triangle C \triangle D \triangle E \triangle F$

- \* RoHS Compliant
- \*  $\text{⌀}$  Important dimension
- \* Waterproof rate: IPX8, unmated 1m/24h
- \* Connector Housing: Thermoplastic, Black  
Pin: Copper alloy, Gold plated
- \* Shield: Metal
- \* Nut: Metal
- \* O-Ring: Rubber, Black
- \* Wire harness: UL1015, 16AWG
- \* For panel thickness max: 4.5mm
- \* O-Ring and nut are assembled on connectors
- \* Wire harness tolerance: 100mm: ±10mm  
100mm < L ≤ 300mm: ±15mm  
300mm < L ≤ 1000mm: ±20mm  
1000mm < L ≤ 1500mm: ±50mm

UNIT: mm		
TOLERANCE	.X ±0.25	
	.XX ±0.1	
	.XXX ±0.05	
ANGLES	±1°	

TITLE N SEN, M12 T, SCREW RECEPTACLE, M, M, SOLDER $\triangle D \triangle F$			
SCALE 1:1	SIZE A4	SHEET 1 OF 1	
REV. F	WC-REV. A.2	$\text{⌀}$ : Inspection item	

**Amphenol LTW**  
安費諾亮泰企業股份有限公司

ITEM NO	DRAWN BY Vicky	DATE 2019-09-20
DWG NO $\triangle D$ M12T-XXPMS-SF8CXX	CHECKED BY Rita	DATE 2019-09-20
CUSTOMER ALTW	APPROVED BY Max	DATE 2019-09-20