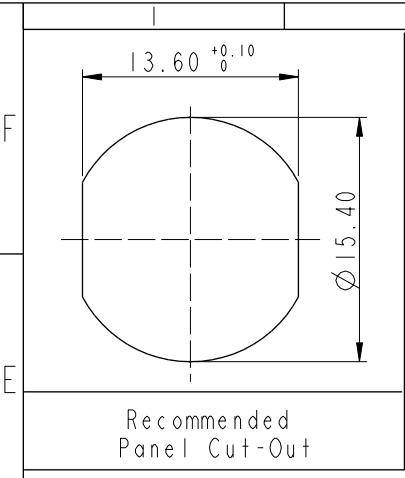
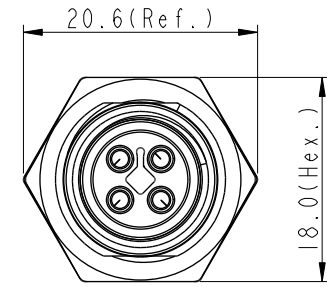
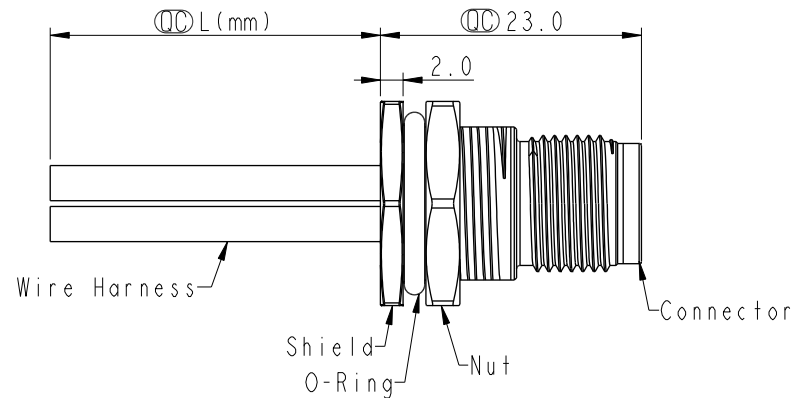
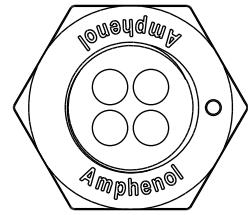


THIS DOCUMENT IS SUBJECT TO CHANGE WITHOUT NOTICE. IT IS CONFIDENTIAL AND A PROPERTY OF Amphenol LTW. DISCLOSURE TO THIRD PARTY HAS TO BE AUTHORIZED BY Amphenol LTW.

| REV. | ECN NO. | DATE       | SIGN  | DESCRIPTION |
|------|---------|------------|-------|-------------|
| D    | C201549 | 2020/10/20 | Vicky | X4          |
| E    | C210025 | 2021/01/20 | Vicky | X2          |
| F    | C210593 | 2021/04/19 | Ruru  | X3          |

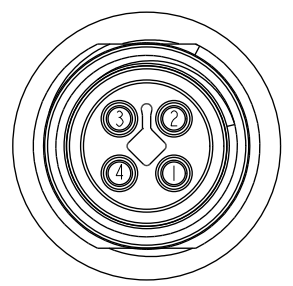


Recommended Panel Cut-Out



|   |       |   |
|---|-------|---|
| 4 | Black | 黑 |
| 3 | Blue  | 藍 |
| 2 | White | 白 |
| 1 | Brown | 棕 |

| Pin # | Wire  | Pin Out |
|-------|-------|---------|
| 4     | Black | 黑       |
| 3     | Blue  | 藍       |
| 2     | White | 白       |
| 1     | Brown | 棕       |



Pin Assignments Front View

M12T-XXPMMS-SF8BXX  
 XX: No. Of Pin

- 10: 100mm
- 15: 150mm
- 20: 200mm
- 95: 950mm
- Cable Pitch Unit: 50mm
- A0: 1000mm
- A5: 1500mm
- Cable Pitch Unit: 100mm
- Wire Length(L): 150~1500mm

Note:

- \* RoHS Compliant
- \* Important dimension
- \* Waterproof rate: IPX8, unmated 1m/24h
- \* Connector
- Housing: Thermoplastic, Black
- Pin: Copper alloy, Gold plated
- \* Shield: Metal
- \* Nut: Metal
- \* O-Ring: Rubber, Black
- \* Wire harness: UL1015, 16AWG
- \* For panel thickness max: 4.5mm
- \* O-Ring and nut are assembled on connectors
- \* Wire harness tolerance: 100mm:  $\pm 10$ mm
- 100mm < L  $\leq$  300mm:  $\pm 15$ mm
- 300mm < L  $\leq$  1000mm:  $\pm 20$ mm
- 1000mm < L  $\leq$  1500mm:  $\pm 50$ mm

|           |               |
|-----------|---------------|
| UNIT: mm  |               |
| TOLERANCE |               |
| .X        | $\pm 0.25$    |
| .XX       | $\pm 0.1$     |
| .XXX      | $\pm 0.05$    |
| ANGLES    | $\pm 1^\circ$ |

|   |                |                 |  |
|---|----------------|-----------------|--|
| TITLE<br>N SEN, M12 T, SCREW RECEPTACLE, M, M, SOLDER |                |                 |  |
| SCALE<br>1:1  | SIZE<br>A4     | SHEET<br>1 OF 1 |  |
| REV.<br>F   | WC-REV.<br>A.3 | Inspection item |  |

**Amphenol LTW**  
 安費諾亮泰企業股份有限公司

|          |                    |            |            |
|----------|--------------------|------------|------------|
| ITEM NO. | DWG NO.            | CHECKED BY | DATE       |
|          | M12T-XXPMMS-SF8BXX | Rita       | 2019-09-20 |
| CUSTOMER | APPROVED BY        | DATE       |            |
| ALTW     | Max                | 2019-09-20 |            |