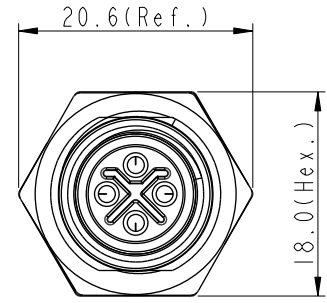
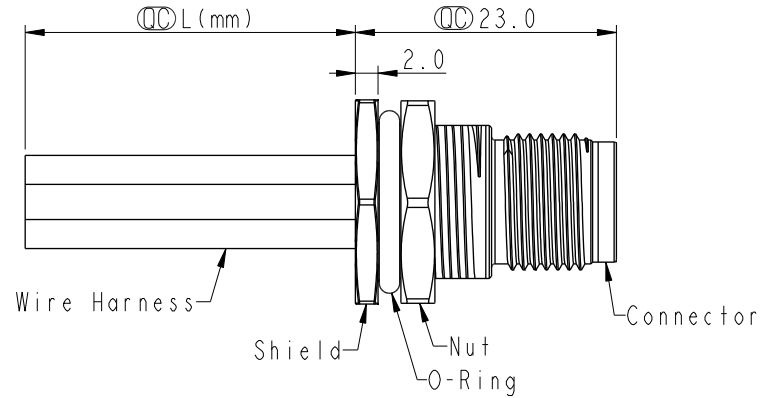
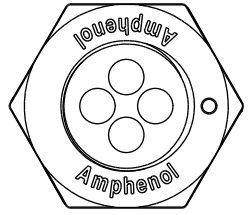
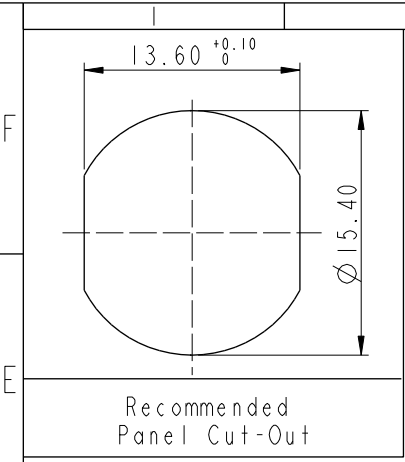


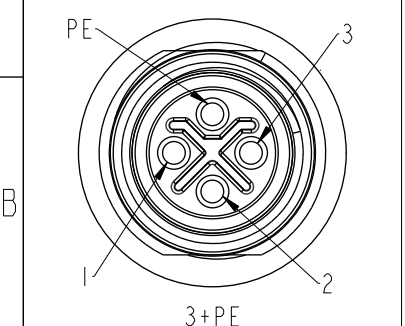
THIS DOCUMENT IS SUBJECT TO CHANGE WITHOUT NOTICE. IT IS CONFIDENTIAL AND A PROPERTY OF Amphenol LTW. DISCLOSURE TO THIRD PARTY HAS TO BE AUTHORIZED BY Amphenol LTW.

REV.	ECN NO.	DATE	SIGN	DESCRIPTION
C	C191643	2019/09/19	Vicky	Update Wire Tolerance
D	C201453	2020/10/14	Ruru	△D X4
E	C210593	2021/04/16	Ruru	△E X2



PE	Black	黑
3	Blue	藍
2	White	白
1	Brown	棕

Pin #	Wire	Pin Out
-------	------	---------



Pin Assignments Front View

△C △D △E  
M12S-XXPMMS-SF8BXX  
XX:No. Of Pin

- 10: 100mm
- 15: 150mm
- 20: 200mm
- ↓
- 95: 950mm
- Cable Pitch Unit: 50mm
  
- A0: 1000mm
- ↓
- A5: 1500mm
- Cable Pitch Unit: 100mm
- Wire Length(L): 150~1500mm

- Note: △B △C △D △E
- \* RoHS Compliant
  - \* ⌀ Important dimension
  - \* Waterproof rate: IPX8, unmated 1m/24h
  - \* Connector Housing: Thermoplastic, Black
  - Pin: Copper alloy, Gold plated
  - \* Shield: Metal
  - \* Nut: Metal
  - \* O-Ring: Rubber, Black
  - \* Wire harness: UL1015, 16AWG
  - \* For panel thickness max: 4.5mm
  - \* O-Ring and nut are assembled on connectors
  - \* Wire harness tolerance: 100mm: ±10mm
  - 100mm < L ≤ 300mm: ±15mm
  - 300mm < L ≤ 1000mm: ±20mm
  - 1000mm < L ≤ 1500mm: ±50mm

UNIT:mm	
TOLERANCE	
.X	±0.25
.XX	±0.1
.XXX	±0.05
ANGLES	±1°

TITLE N SEN, M12 S, SCREW RECEPTACLE, M, M, SOLDER △D			
SCALE 1:1	SIZE A4	SHEET 1 OF 1	
REV. E	WC-REV. A.3	⌀ Inspection item	

**Amphenol LTW**  
安費諾亮泰企業股份有限公司

ITEM NO.	DRAWN BY Vicky	DATE 2019-09-19
DWG NO. △D M12S-XXPMMS-SF8BXX	CHECKED BY Rita	DATE 2019-09-19
CUSTOMER ALTW	APPROVED BY Max	DATE 2019-09-19