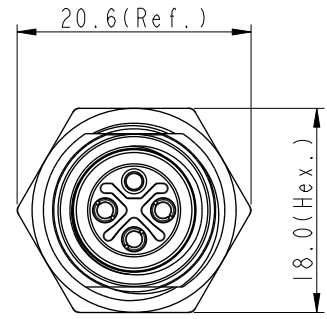
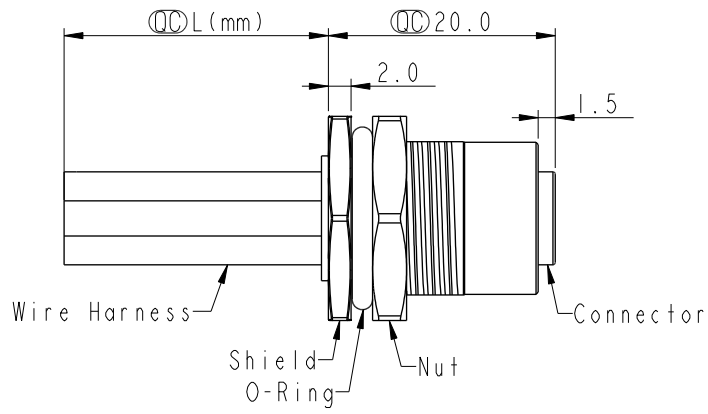
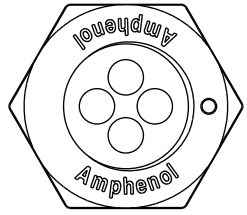
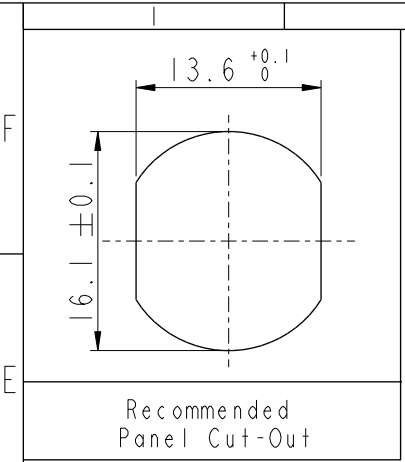


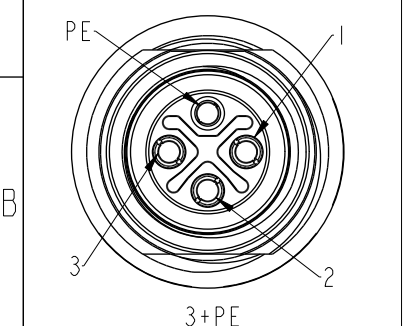
THIS DOCUMENT IS SUBJECT TO CHANGE WITHOUT NOTICE. IT IS CONFIDENTIAL AND A PROPERTY OF Amphenol LTW. DISCLOSURE TO THIRD PARTY HAS TO BE AUTHORIZED BY Amphenol LTW.

REV.	ECN NO.	DATE	SIGN	DESCRIPTION
B	C191643	2019/09/18	Vicky	Update Wire Tolerance
C	C201453	2020/10/14	Ruru	$\triangle C$ X4
D	C210593	2021/04/16	Ruru	$\triangle D$ X2



PE	Black	黑
3	Blue	藍
2	White	白
1	Brown	棕

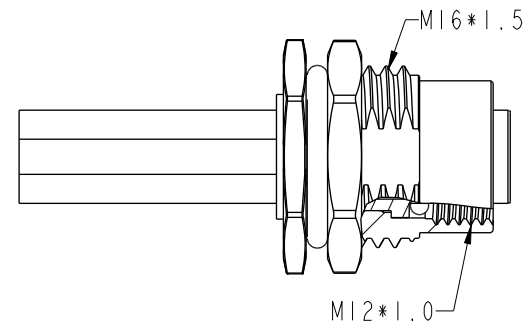
Pin #	Wire	Pin Out
-------	------	---------



Pin Assignments Front View

$\triangle B \triangle C \triangle D$
M12S-XXPFFS-SF8CXX

XX:No. Of Pin
 10:100mm
 15:150mm
 20:200mm
 ↓
 95:950mm
 Cable Pitch Unit:50mm
 A0:1000mm
 ↓
 A5:1500mm
 Cable Pitch Unit:100mm
 Wire Length(L):150~1500mm



- Note: $\triangle B \triangle C \triangle D$
- * RoHS Compliant
 - * \varnothing Important dimension
 - * Waterproof rate: IPX8, unmated 1m/24h
 - * Connector
 - Housing: Thermoplastic, Black
 - Pin: Copper alloy, Gold plated
 - O-Ring: Rubber, Green
 - * Shield: Metal
 - * Nut: Metal
 - * O-Ring: Rubber, Black
 - * Wire harness: UL1015, 16AWG
 - * For panel thickness max: 4.5mm
 - * O-Ring and nut are assembled on connectors
 - * Wire harness tolerance: 100mm: ±10mm
 100mm < L ≤ 300mm: ±15mm
 300mm < L ≤ 1000mm: ±20mm
 1000mm < L ≤ 1500mm: ±50mm

UNIT:mm		
TOLERANCE	.X ±0.25	
.XX ±0.1		
.XXX ±0.05		
ANGLES	±1°	

TITLE N SEN, M12 S, SCREW RECEPTACLE, F, F, SOLDER $\triangle C$			
SCALE 2:1	SIZE A4	SHEET 1 OF 1	
REV. D	WC-REV. A.1	\varnothing : Inspection item	

Amphenol LTW
安費諾亮泰企業股份有限公司

ITEM NO	DRAWN BY Vicky	DATE 2015-09-09
DWG NO $\triangle C$ M12S-XXPFFS-SF8CXX	CHECKED BY Rita	DATE 2015-09-09
CUSTOMER ALTW	APPROVED BY Max	DATE 2015-09-09