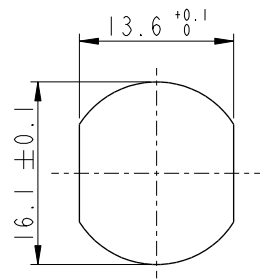


THIS DOCUMENT IS SUBJECT TO CHANGE WITHOUT NOTICE. IT IS CONFIDENTIAL AND A PROPERTY OF Amphenol LTW. DISCLOSURE TO THIRD PARTY HAS TO BE AUTHORIZED BY Amphenol LTW.

REV.	ECN NO.	DATE	SIGN	DESCRIPTION
D	C201542	2020/10/07	Vicky	△D X3
E	C210025	2021/01/19	Vicky	△E X2
F	C210309	2021/03/04	Ruru	△F X2

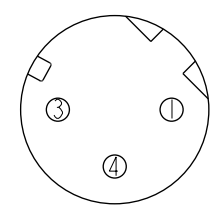
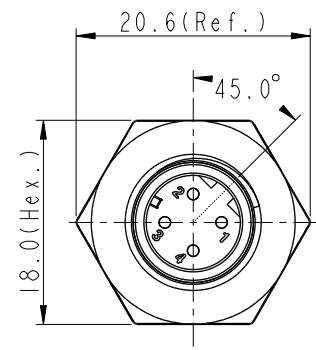
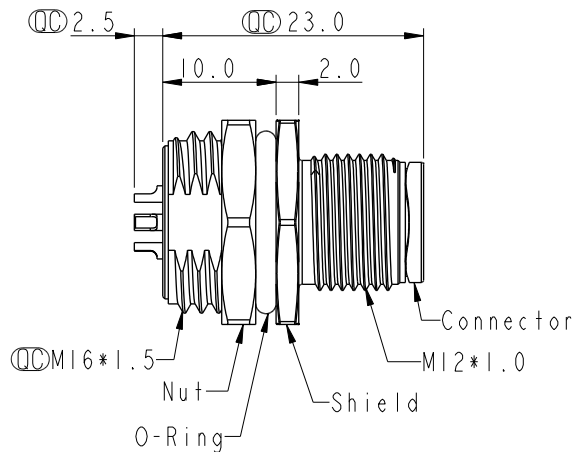
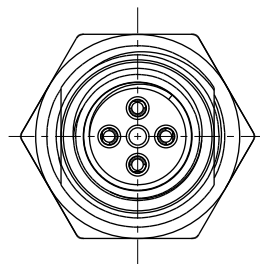


Recommended Panel Cut-Out

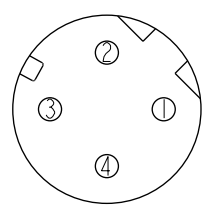
△B

△D M12D-XXPMMS-SH8002

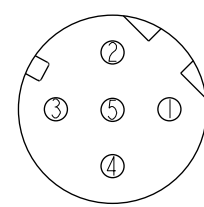
XX: No. Of Pin



3P



4P



5P

Pin Assignment Front View

- △D △F Note:
- * RoHS Compliant
 - * Ⓞ Important dimension
 - △C* Waterproof rate: IPX8, unmated 1m/24h
IPX9K, unmated
 - * Connector
Housing: Thermoplastic, Black
Pin: Copper alloy, Gold plated
 - △E* Shield: Metal
 - △E* Nut: Metal
 - * O-Ring: Rubber, Black
 - * For panel thickness max: 4.5mm
 - * Nut is packed separately in pe bag

UNIT: mm			TITLE N SEN, M12 D, SCREW RECEPTACLE, M, M, SOLDER △F
TOLERANCE .X ±0.25 .XX ±0.1 .XXX ±0.05 ANGLES ±1°	SCALE 2:1	SIZE A4	SHEET 1 OF 1
REV. F	WC-REV. A.5	Ⓞ: Inspection item	

Amphenol LTW
安費諾亮泰企業股份有限公司

ITEM NO.	DRAWN BY Yulong_wang	DATE 2016-08-23
DWG NO. △A M12D-XXPMMS-SH8002	CHECKED BY Jinhai	DATE 2016-08-23
CUSTOMER ALTW	APPROVED BY Jerry	DATE 2016-08-23