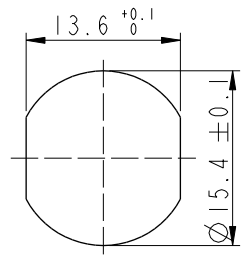


THIS DOCUMENT IS SUBJECT TO CHANGE WITHOUT NOTICE. IT IS CONFIDENTIAL AND A PROPERTY OF Amphenol LTW. DISCLOSURE TO THIRD PARTY HAS TO BE AUTHORIZED BY Amphenol LTW.

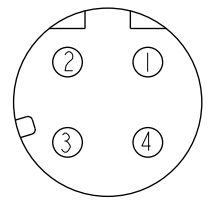
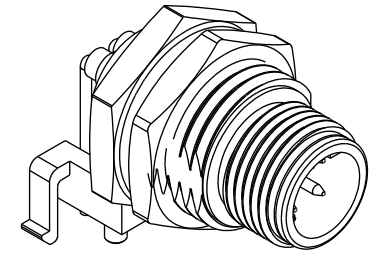
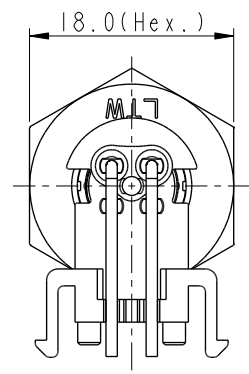
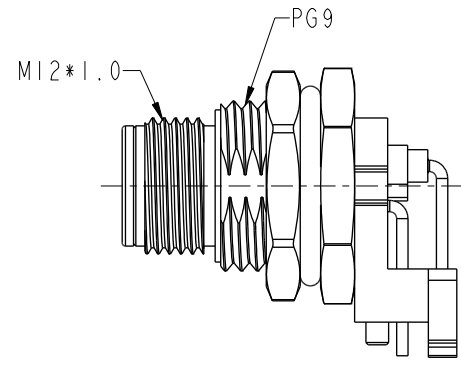
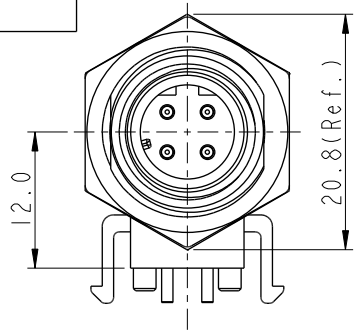
REV.	ECN NO.	DATE	SIGN	DESCRIPTION
C	C201542	2020/10/07	Vicky	△C X4
D	C210025	2021/01/19	Vicky	△D X2
E	C210309	2021/03/03	Ruru	△E X2



△C M12D-XXPMMR-SF8001

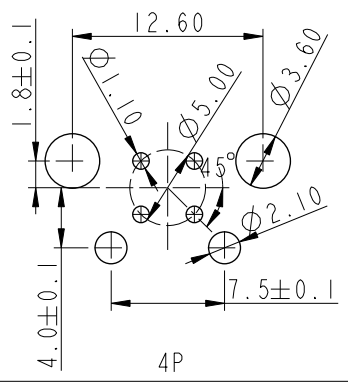
XX: No. Of Pin

Recommended Panel Cut-Out



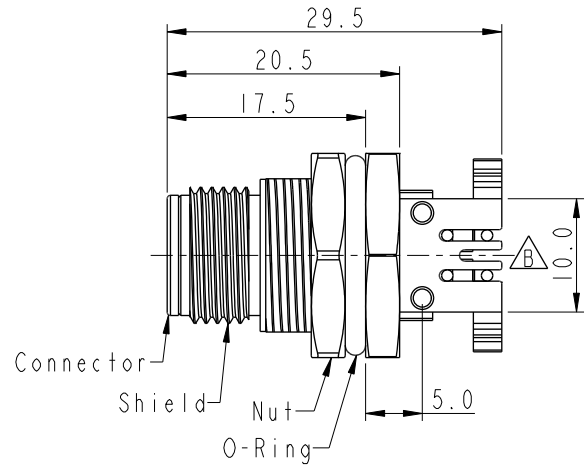
4P

Pin Assignment Front View



4P

PCB Layout



△C△E Note:

- * RoHS Compliant
- * Ⓞ Important dimension
- * Waterproof rate: IPX8, unmated 1m/24h
- * Connector
- Housing: Thermoplastic, Black
- Pin: Copper alloy, Gold plated
- Shield: Metal
- Nut: Metal
- O-Ring: Rubber, Black
- * For panel thickness max: 4.5mm
- * For pcb thickness max: 1.6mm
- * Nut is packed separately in pe bag

UNIT:mm		
TOLERANCE	.X ±0.25	
	.XX ±0.1	
	.XXX ±0.05	
ANGLES	±1°	

TITLE N SEN, M12 D, SCREW RECEPTACLE, M, M, PCB R△C△E		
SCALE 3:2	SIZE A4	SHEET 1 OF 1
REV. E	WC-REV. A.1	Ⓞ Inspection item

Amphenol LTW
安費諾亮泰企業股份有限公司

ITEM NO	DRAWN BY Nan_Su	DATE 2019-08-14
DWG NO △C M12D-XXPMMR-SF8001	CHECKED BY Feng_Li	DATE 2019-08-14
CUSTOMER ALTW	APPROVED BY Jerry	DATE 2019-08-14