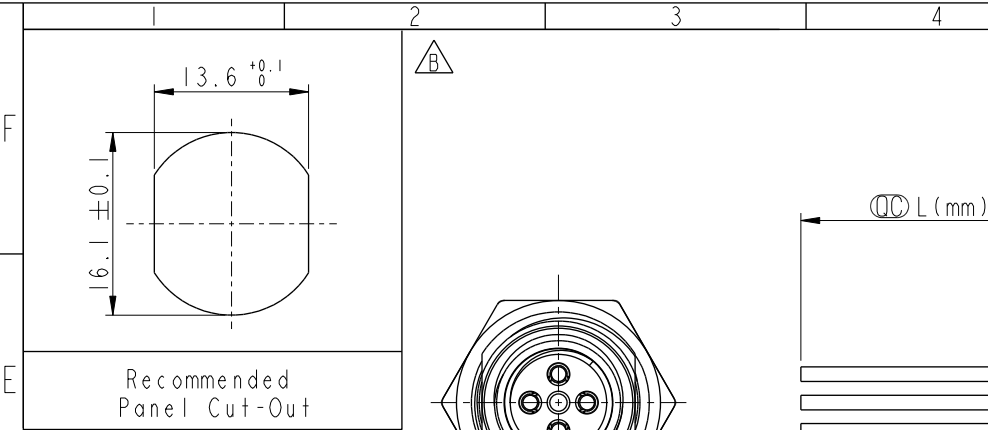
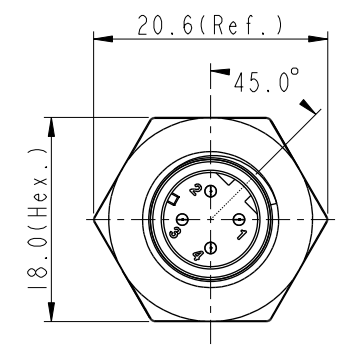
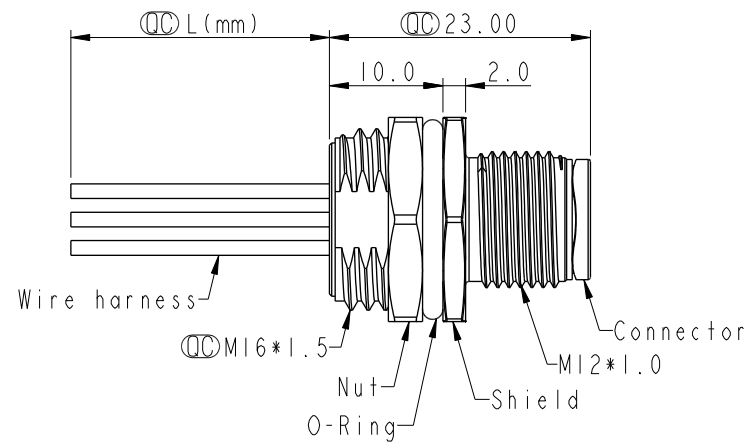
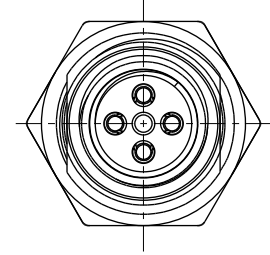


THIS DOCUMENT IS SUBJECT TO CHANGE WITHOUT NOTICE. IT IS CONFIDENTIAL AND A PROPERTY OF Amphenol LTW. DISCLOSURE TO THIRD PARTY HAS TO BE AUTHORIZED BY Amphenol LTW.

REV.	ECN NO.	DATE	SIGN	DESCRIPTION
D	C201542	2020/10/07	Vicky	X3
E	C210025	2021/01/19	Vicky	X2
F	C210593	2021/04/16	Ruru	X3

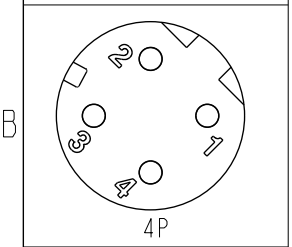


Recommended Panel Cut-Out



4	Black	黑
3	Blue	藍
2	White	白
1	Brown	棕

Pin # Wire



Pin Assignments Front View

M12D-XXPMMC-SH8CXX
XX: No. Of Pin

- 10: 100mm
- 15: 150mm
- 20: 200mm
- ↓
- 95: 950mm
- Cable Pitch Unit=50mm
- ↓
- A0: 1000mm
- ↓
- A5: 1500mm
- Cable Pitch Unit=100mm
- Wire Length (L): 150~1500 mm

- Note:
- * RoHS Compliant
 - * Important dimension
 - * Waterproof rate: IPX8, unmated 1m/24h
 - * Connector
 - Housing: Thermoplastic, Black
 - Pin: Copper alloy, Gold plated
 - * Shield: Metal
 - * Nut: Metal
 - * O-Ring: Rubber, Black
 - * Wire harness: UL1061, 22AWG
 - * For panel thickness max: 4.5mm
 - * O-Ring and nut are assembled on connectors
 - * Wire harness tolerance: 100mm: ±10mm
 - 100mm < L ≤ 300mm: ±15mm
 - 300mm < L ≤ 1000mm: ±20mm
 - 1000mm < L ≤ 1500mm: ±50mm

UNIT:mm		TITLE	
		N SEN, M12 D, SCREW RECEPTACLE, M, M, FI/PANEL CRIMP	
SCALE	2:1	SIZE	A4
REV.	F	SHEET	1 OF 1
WC-REV.	A.5	Inspection item	

Amphenol LTW

安費諾亮泰企業股份有限公司

ITEM NO	DRAWN BY	DATE
	Vicky	2019-09-18
DWG NO	CHECKED BY	DATE
M12D-XXPMMC-SH8CXX	Rita	2019-09-18
CUSTOMER	APPROVED BY	DATE
ALTW	Max	2019-09-18