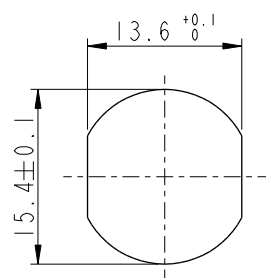
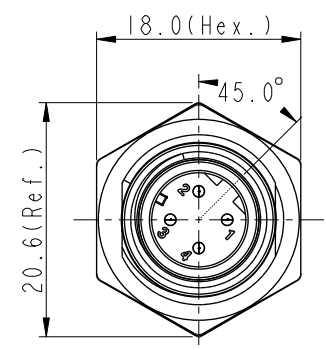
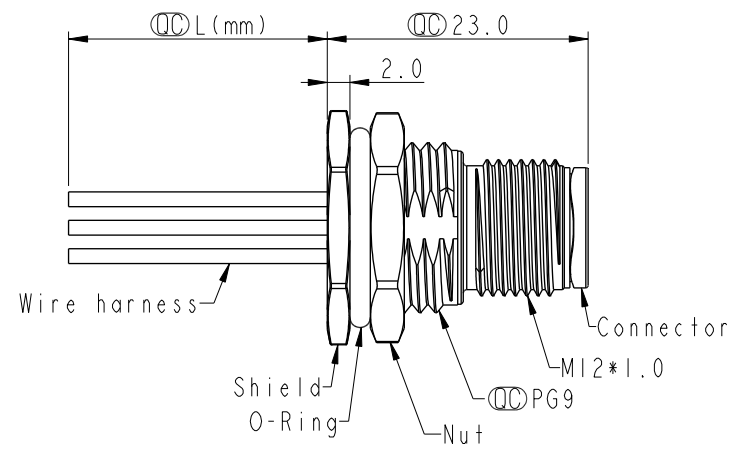
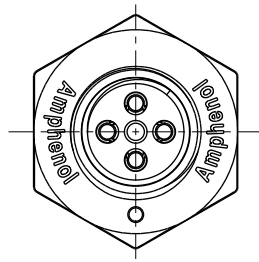


THIS DOCUMENT IS SUBJECT TO CHANGE WITHOUT NOTICE. IT IS CONFIDENTIAL AND A PROPERTY OF Amphenol LTW. DISCLOSURE TO THIRD PARTY HAS TO BE AUTHORIZED BY Amphenol LTW.

REV.	ECN NO.	DATE	SIGN	DESCRIPTION
D	C201542	2020/10/07	Vicky	$\triangle D$ X3
E	C210025	2020/01/19	Vicky	$\triangle E$ X2
F	C210593	2021/04/16	Ruru	$\triangle F$ X3

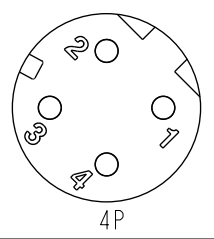


Recommended Panel Cut-Out



4	Black	黑
3	Blue	藍
2	White	白
1	Brown	棕

Pin #	Wire
	Pin Out



Pin Assignments Front View



XX: No. Of Pin

- 10: 100mm
- 15: 150mm
- 20: 200mm
- 95: 950mm
- Cable Pitch Unit=50mm
- A0: 1000mm
- A5: 1500mm
- Cable Pitch Unit=100mm
- Wire Length (L): 150~1500 mm

Note:  $\triangle C \triangle D \triangle E \triangle F$

- \* RoHS Compliant
- \*  $\text{⌀}$  Important dimension
- \* Waterproof rate: IPX8, unmated 1m/24h
- \* Connector
- Housing: Thermoplastic, Black
- Pin: Copper alloy, Gold plated
- \* Shield: Metal
- \* Nut: Metal
- \* O-Ring: Rubber, Black
- \* Wire harness: UL1061, 22AWG
- \* For panel thickness max: 4.5mm
- \* O-Ring and nut are assembled on connectors
- \* Wire harness tolerance: 100mm:  $\pm 10$ mm
- 100mm < L  $\leq$  300mm:  $\pm 15$ mm
- 300mm < L  $\leq$  1000mm:  $\pm 20$ mm
- 1000mm < L  $\leq$  1500mm:  $\pm 50$ mm

UNIT:mm		
TOLERANCE	.X $\pm 0.25$	
	.XX $\pm 0.1$	
	.XXX $\pm 0.05$	
ANGLES	$\pm 1^\circ$	

TITLE N SEN, M12 D, SCREW RECEPTACLE, M, M, FI/PANEL CRIMP $\triangle F$			
SCALE 2:1	SIZE A4	SHEET 1 OF 1	
REV. F	WC-REV. A.5	$\text{⌀}$ : Inspection item	

**Amphenol LTW**  
安費諾亮泰企業股份有限公司

ITEM NO	DRAWN BY Vicky	DATE 2019-09-18
DWG NO $\triangle$ M12D-XXPMMC-SF8BXX	CHECKED BY Rita	DATE 2019-09-18
CUSTOMER ALTW	APPROVED BY Max	DATE 2019-09-18