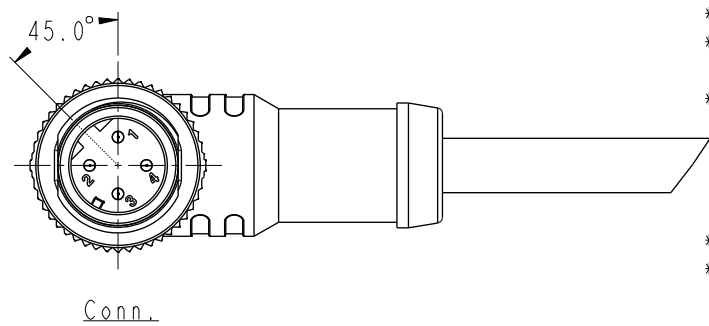
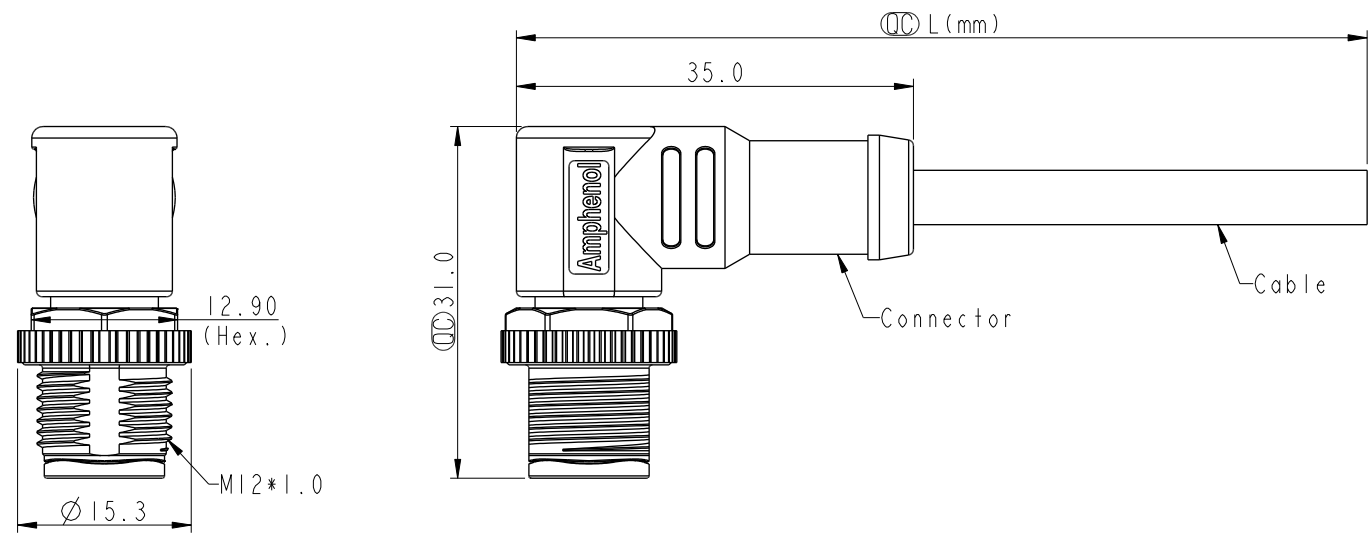


THIS DOCUMENT IS SUBJECT TO CHANGE WITHOUT NOTICE. IT IS CONFIDENTIAL AND A PROPERTY OF Amphenol LTW. DISCLOSURE TO THIRD PARTY HAS TO BE AUTHORIZED BY Amphenol LTW.

REV.	ECN NO.	DATE	SIGN	DESCRIPTION
C	C201542	2020/10/07	Vicky	X4
D	C210025	2021/01/19	Vicky	X1
E	C210542	2021/04/08	Ruru	X3



- Note:
- * RoHS Compliant
 - * Important dimension
 - * Waterproof rate: IPX8, mated 1m/24h
IPX9K, mated
 - * Connector
Housing: Thermoplastic, Black
Pin: Copper alloy, Gold plated
Nut: Metal
Outer mold: Thermoplastic, Black
 - * Cable: UL20549, PUR Jacket, Black
 - * Cable length tolerance: LM: +50/-0 mm
1M < L ≤ 3M: +100/-0 mm
3M < L ≤ 5M: +150/-0 mm
5M < L ≤ 10M: ±100 mm
10M < L ≤ 20M: ±200 mm
20M < L ≤ 30M: ±300 mm
30M < L ≤ 99M: ±500 mm

UNIT: mm
TOLERANCE
±0.5mm

TITLE N SEN, M12 D, SCREW CABLE W/O SR, M, M, MOLDING			
SCALE 3:2	SIZE A4	SHEET 1 OF 2	
REV. E	WC-REV. A.2	Inspection item	

Amphenol LTW
安費諾亮泰企業股份有限公司

ITEM NO.	DRAWN BY Yulong_wang	DATE 2016-10-14
DWG NO. M12D-XXBMMM-SR8BXX	CHECKED BY Jinhai	DATE 2016-10-14
CUSTOMER ALTW	APPROVED BY Jerry	DATE 2016-10-14

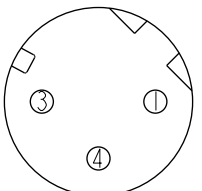
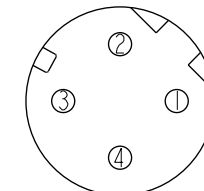
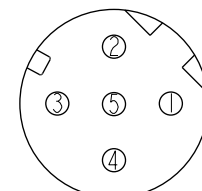
THIS DOCUMENT IS SUBJECT TO CHANGE WITHOUT NOTICE. IT IS CONFIDENTIAL AND A PROPERTY OF Amphenol LTW. DISCLOSURE TO THIRD PARTY HAS TO BE AUTHORIZED BY Amphenol LTW.

B	5P	4.4	22	MI2D-05BMMM-SR8BXX
	4P	4.0		MI2D-04BMMM-SR8BXX
B	3P	3.8		MI2D-03BMMM-SR8BXX
	Contacts	Cable OD	AWG	Item No.


MI2D-XXBMMM-SR8BXX

XX: No. Of Pin

XX: 01~99Meters
 01: 01Meter
 02: 02Meters
 .
 99: 99Meters

C	Pin Out	5	--		5	--		5	Gray	灰
		4	Black	黑	4	Black	黑	4	Black	黑
		3	Blue	藍	3	Blue	藍	3	Blue	藍
		2	--		2	White	白	2	White	白
		1	Brown	棕	1	Brown	棕	1	Brown	棕
		Pin #	Wire		Pin #	Wire		Pin #	Wire	
B	Conn.									
		3P		4P		5P				

Pin Assignments Front View

A	UNIT:mm		TITLE	N SEN, MI2 D, SCREW CABLE W/O SR, M, M, MOLDING			
	TOLERANCE	±0.5mm	SCALE	3:2	SIZE	A4	
			REV.	E	WC-REV.	A.2	
				SHEET	2	OF	2
				☉: Inspection item			

Amphenol LTW
 安費諾亮泰企業股份有限公司

ITEM NO	DRAWN BY	DATE
	Yulong_wang	2016-10-14
DWG NO	CHECKED BY	DATE
MI2D-XXBMMM-SR8BXX	Jinhai	2016-10-14
CUSTOMER	APPROVED BY	DATE
ALTW	Jerry	2016-10-14