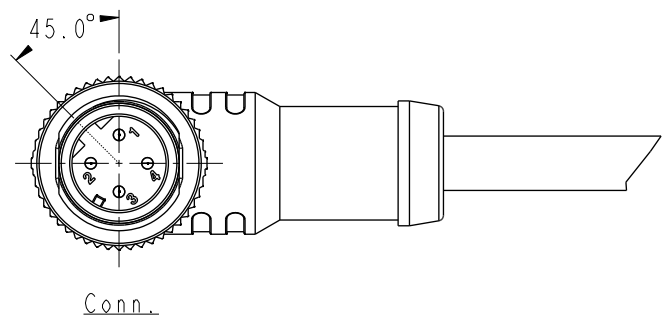
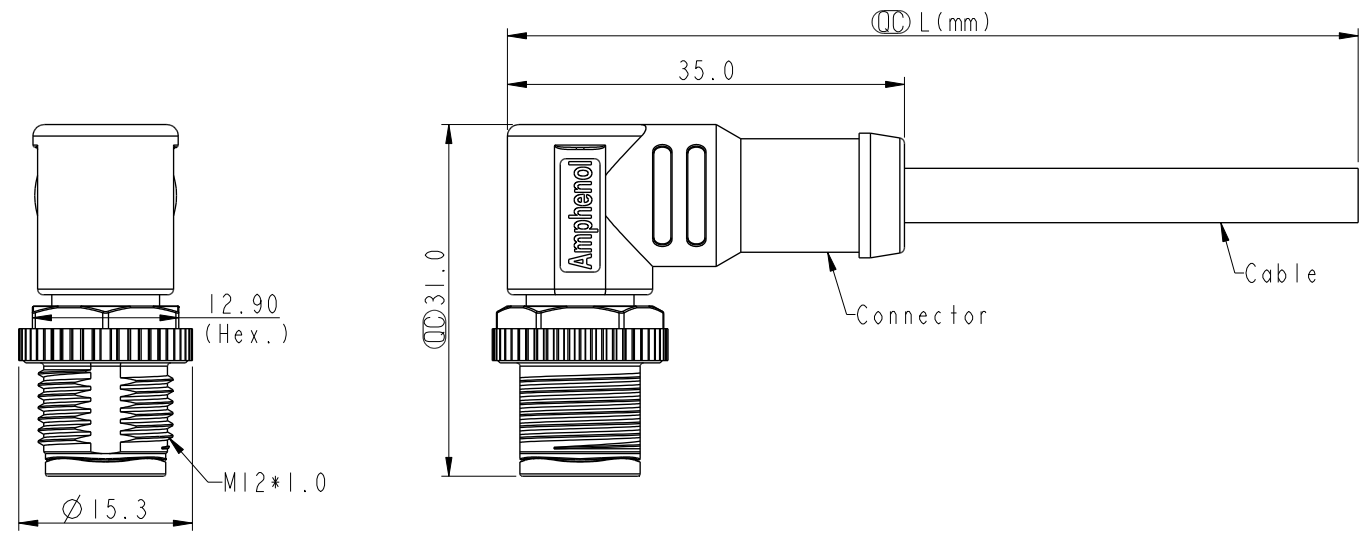


THIS DOCUMENT IS SUBJECT TO CHANGE WITHOUT NOTICE. IT IS CONFIDENTIAL AND A PROPERTY OF Amphenol LTW. DISCLOSURE TO THIRD PARTY HAS TO BE AUTHORIZED BY Amphenol LTW.

REV.	ECN NO.	DATE	SIGN	DESCRIPTION
C	C201542	2020/10/07	Vicky	$\triangle C$ X4
D	C210025	2021/01/19	Vicky	$\triangle D$ X1
E	C210542	2021/04/08	Ruru	$\triangle E$ X3



Note: $\triangle B \triangle C \triangle D \triangle E$

- * RoHS Compliant
- * \varnothing Important dimension
- * Waterproof rate: IPX8, mated 1m/24h
IPX9K, mated
- * Connector
Housing: Thermoplastic, Black
Pin: Copper alloy, Gold plated
Nut: Metal
Outer mold: Thermoplastic, Black
- * Cable: UL2517, PVC Jacket, Yellow
- * Cable length tolerance: 1M: +50/-0 mm
1M < L ≤ 3M: +100/-0 mm
3M < L ≤ 5M: +150/-0 mm
5M < L ≤ 10M: ±100 mm
10M < L ≤ 20M: ±200 mm
20M < L ≤ 30M: ±300 mm
30M < L ≤ 99M: ±500 mm

UNIT: mm		TITLE
TOLERANCE	$\pm 0.5\text{mm}$	N SEN, M12 D, SCREW CABLE W/O SR, M, M, MOLDING $\triangle E$
SCALE	3:2	SIZE A4
REV.	E	SHEET 1 OF 2
WC-REV.	A.2	\varnothing Inspection item

Amphenol LTW
安費諾亮泰企業股份有限公司

ITEM NO	DRAWN BY	DATE
	Yulong_wang	2016-10-14
DWG NO	CHECKED BY	DATE
\triangle M12D-XXBMM-SR8AXX	Jinhai	2016-10-14
CUSTOMER	APPROVED BY	DATE
ALTW	Jerry	2016-10-14

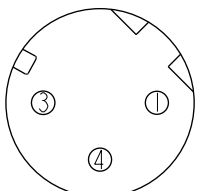
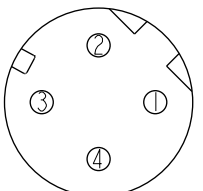
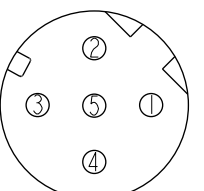
THIS DOCUMENT IS SUBJECT TO CHANGE WITHOUT NOTICE. IT IS CONFIDENTIAL AND A PROPERTY OF Amphenol LTW. DISCLOSURE TO THIRD PARTY HAS TO BE AUTHORIZED BY Amphenol LTW.

△B	5P	5.1	22	MI2D-05BMMM-SR8AXX
	4P	4.8		MI2D-04BMMM-SR8AXX
△B	3P	4.5		MI2D-03BMMM-SR8AXX
	Contacts	Cable OD	AWG	Item No.


△C
MI2D-XXBMMM-SR8AXX

XX: No. Of Pin

XX: 01~99Meters
 01: 01Meter
 02: 02Meters
 .
 99: 99Meters

C Pin Out	5	--		5	--		5	Gray	灰
	4	Black	黑	4	Black	黑	4	Black	黑
	3	Blue	藍	3	Blue	藍	3	Blue	藍
	2	--		2	White	白	2	White	白
	1	Brown	棕	1	Brown	棕	1	Brown	棕
	Pin #	Wire		Pin #	Wire		Pin #	Wire	
B Conn.	 3P			 4P			 5P		

Pin Assignments Front View

UNIT:mm		TITLE N SEN, MI2 D, SCREW CABLE W/O SR, M, M, MOLDING △E	
TOLERANCE ±0.5mm	SCALE 3:2	SIZE A4	SHEET 2 OF 2
	REV. E	WC-REV. A.2	◎: Inspection item

Amphenol LTW
 安費諾亮泰企業股份有限公司

ITEM NO	DRAWN BY Yulong_wang	DATE 2016-10-14
DWG NO △E MI2D-XXBMMM-SR8AXX	CHECKED BY Jinhai	DATE 2016-10-14
CUSTOMER ALTW	APPROVED BY Jerry	DATE 2016-10-14