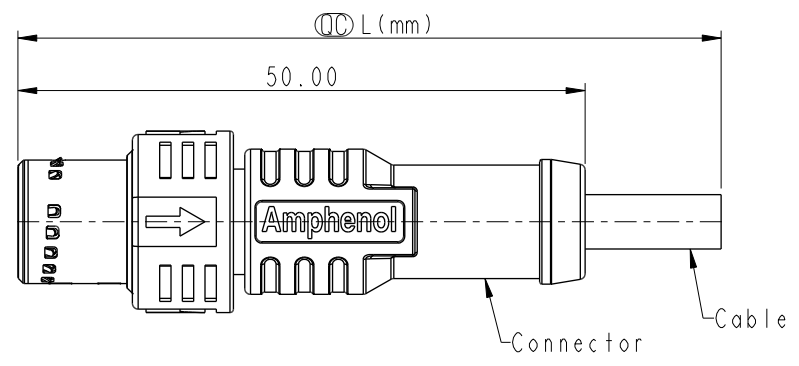
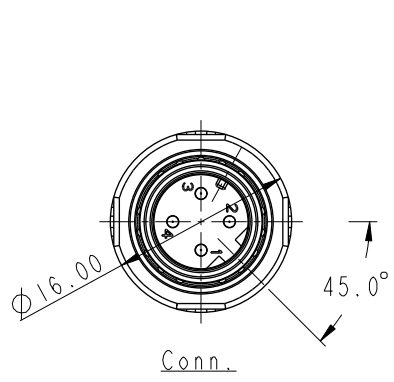


THIS DOCUMENT IS SUBJECT TO CHANGE WITHOUT NOTICE. IT IS CONFIDENTIAL AND A PROPERTY OF Amphenol LTW. DISCLOSURE TO THIRD PARTY HAS TO BE AUTHORIZED BY Amphenol LTW.

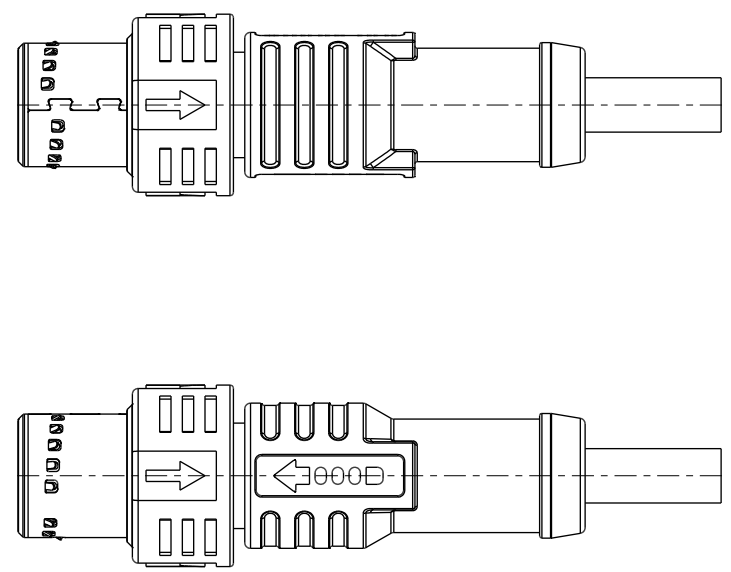
REV.	ECN NO.	DATE	SIGN	DESCRIPTION
A		2020/09/09	Vincent Huang	New Release
B	C201465	2020/09/18	Vincent Huang	$\triangle_B$ X3
C	C210542	2021/04/12	Ruru	$\triangle_C$ XI



M12D- XX BMMM-PL8B XX

XX: No. of Pin

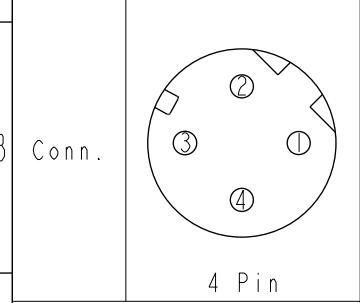
XX: 01~99Meters  
 01: 01Meter  
 02: 02Meters  
 :  
 99: 99Meters



Note:  $\triangle_B$   $\triangle_C$

- \* RoHS Compliant
- \*  $\circ$  Important dimension
- \* Waterproof rate: IPX8, mated 1m/24h
- \* Connector
- Housing: Thermoplastic, Black
- Pin: Copper alloy, Gold plated
- Shield: Metal
- Slider: Thermoplastic, Black
- Outer mold: Thermoplastic, Black
- \* Cable: UL20549, 22#\*4, OD=4.0mm, PUR Jacket, Black
- \* Cable length tolerance: 1M: +50/-0 mm  
 1M < L ≤ 3M: +100/-0 mm  
 3M < L ≤ 5M: +150/-0 mm  
 5M < L ≤ 10M: ±100 mm  
 10M < L ≤ 20M: ±200 mm  
 20M < L ≤ 30M: ±300 mm  
 30M < L ≤ 99M: ±500 mm

Pin Out	Wire	Wire
5	--	
4	Black	黑
3	Blue	藍
2	White	白
1	Brown	棕
Pin #	Wire	



Pin Assignments Front View  $\triangle_B$

UNIT:mm	
TOLERANCE	
±0.5 mm	

TITLE N SEN, M12 D, PUSH PULL CABLE W/O SR, M, M, MOLDING			
SCALE 2:1	SIZE A4	SHEET 1 OF 1	
REV. C	WC-REV. A.1	$\circ$ : Inspection item	

**Amphenol LTW**  
 安費諾亮泰企業股份有限公司

ITEM NO	DRAWN BY Vincent Huang	DATE 2020/09/09
DWG NO M12D-XXBMMM-PL8BXX	CHECKED BY Aric Ko	DATE 2020/09/09
CUSTOMER ALTW	APPROVED BY Max Yang	DATE 2020/09/09