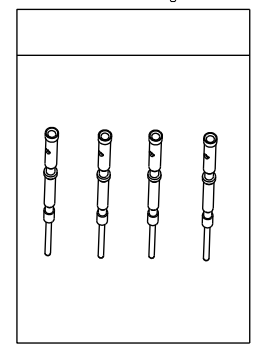
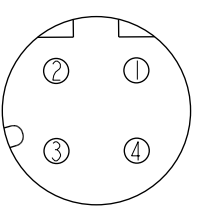
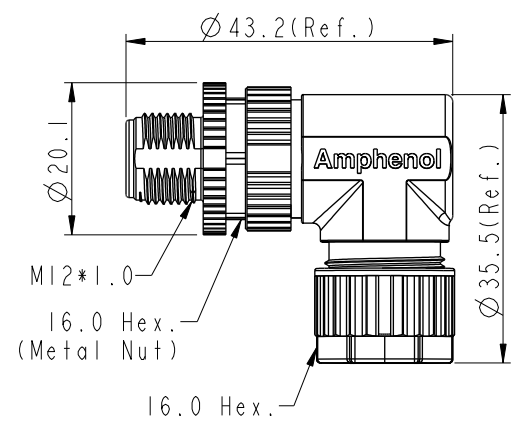
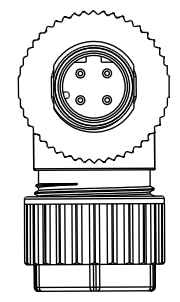
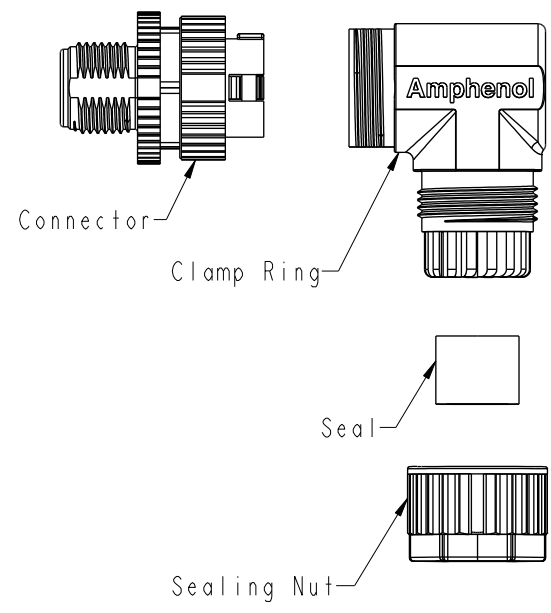


THIS DOCUMENT IS SUBJECT TO CHANGE WITHOUT NOTICE. IT IS CONFIDENTIAL AND A PROPERTY OF AMPHENOL LTW. DISCLOSURE TO THIRD PARTY HAS TO BE AUTHORIZED BY AMPHENOL LTW.

REV.	ECN NO.	DATE	SIGN	DESCRIPTION
D	C201542	2020/10/07	Vicky	△D X4
E	C210561	2021/04/13	Vicky	△E X3
F	C210977	2021/06/23	Vicky	△F X1

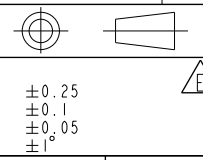


△D MI2D-XXBMMC-SR7001  
 XX: No. Of Pin

- Note:
- \* RoHS Compliant
  - \* Important Dimension
  - \* Waterproof rate: IPX7, mated
  - \* Connector Housing: Thermoplastic, Black
  - \* Pin: Copper alloy, Gold plated
  - \* Extension Nut: Thermoplastic, Black
  - \* Nut: Metal
  - △D O-Ring: Rubber, Gray
  - \* Clamp Ring: Thermoplastic, Black
  - \* Sealing Nut: Thermoplastic, Black
  - △C \* Seal: Rubber, Gray, OD: Ø4.0mm~Ø7.0mm
  - △F \* Applicable wire gauge: 20AWG~24AWG
  - \* One set unassembled in one pe bag

UNIT:mm

TOLERANCE	
.X	±0.25
.XX	±0.1
.XXX	±0.05
ANGLES	±1°



TITLE N SEN, M12 D, SCREW CABLE W/O SR, M, M, FI/PANEL CRIMP			
SCALE Free	SIZE A4	SHEET 1 OF 1	
REV. F	WC-REV. .0	◎◎: Inspection item	

**Amphenol LTW**  
 安費諾亮泰企業股份有限公司

ITEM NO	DWG NO	CUSTOMER	DRAWN BY	CHECKED BY	APPROVED BY	DATE
	MI2D-XXBMMC-SR7001	ALTW	Xiaofeng	Li-Feng	Jerry	2019/12/18