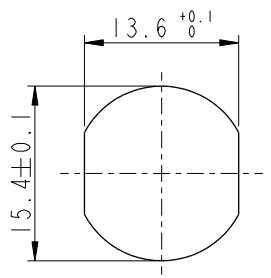
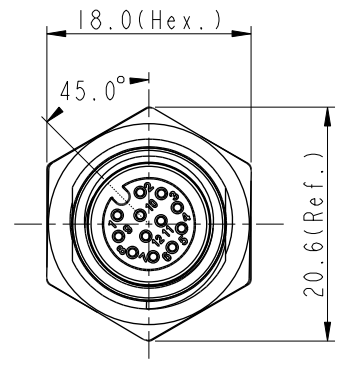
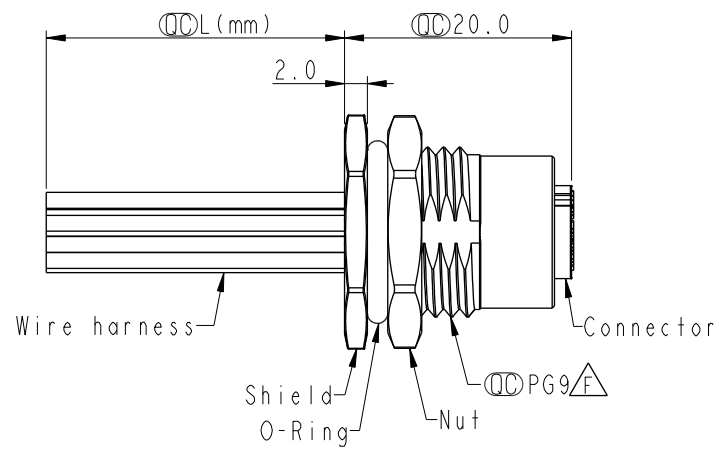
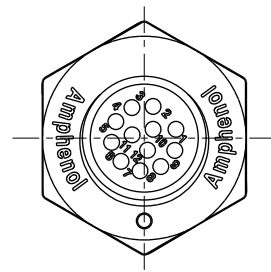


THIS DOCUMENT IS SUBJECT TO CHANGE WITHOUT NOTICE. IT IS CONFIDENTIAL AND A PROPERTY OF Amphenol LTW. DISCLOSURE TO THIRD PARTY HAS TO BE AUTHORIZED BY Amphenol LTW.

REV.	ECN NO.	DATE	SIGN	DESCRIPTION
E	BOMR19100207	2019/10/29	Peng	Add 17Pin
F	C201604	2020/10/20	Ruru	$\triangle F$ X8
G	C210239	2021/04/13	Ruru	$\triangle G$ X4



Recommended Panel Cut-Out

- Note:  $\triangle C \triangle D \triangle F \triangle G$
- \* RoHS Compliant
  - \*  $\text{⌀}$  Important dimension
  - \* Waterproof rate: IPX8, unmated 1m/24h  
IPX9K, unmated
  - \* Connector
    - Housing: Thermoplastic, Black
    - Pin: Copper alloy, Gold plated
    - O-Ring: Rubber, Green
  - \* Shield: Metal
  - \* Nut: Metal
  - \* O-Ring: Rubber, Black
  - \* Wire harness: UL1061
  - \* For panel thickness max: 4.5mm
  - \* O-Ring and nut are assembled on connectors
  - \* Wire harness tolerance: 100mm:  $\pm 10$ mm  
100mm < L  $\leq$  300mm:  $\pm 15$ mm  
300mm < L  $\leq$  1000mm:  $\pm 20$ mm  
1000mm < L  $\leq$  1500mm:  $\pm 50$ mm

$\triangle F$

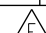

UNIT: mm	
TOLERANCE	
.X	$\pm 0.25$
.XX	$\pm 0.1$
.XXX	$\pm 0.05$
ANGLES	$\pm 1^\circ$

TITLE N SEN, M12 A, SCREW RECEPTACLE, F, F, SOLDER $\triangle G$			
SCALE 3:2	SIZE A4	SHEET 1 OF 2	
REV. G	WC-REV. A.3	$\text{⌀}$ : Inspection item	

**Amphenol LTW**  
安費諾亮泰企業股份有限公司

ITEM NO.	DRAWN BY Ruru	DATE 2019-09-19
DWG NO. $\triangle F$ M12A-XXPFFS-SF8BXX	CHECKED BY Rita	DATE 2019-09-19
CUSTOMER ALTW	APPROVED BY Max	DATE 2019-09-19

THIS DOCUMENT IS SUBJECT TO CHANGE WITHOUT NOTICE. IT IS CONFIDENTIAL AND A PROPERTY OF AMPHENOL LTW. DISCLOSURE TO THIRD PARTY HAS TO BE AUTHORIZED BY AMPHENOL LTW.

 	12P	26	M12A-12PFFS-SF8BXX
	10P		M12A-10PFFS-SF8BXX
	8P	24	M12A-08PFFS-SF8BXX
	6P		M12A-06PFFS-SF8BXX
Contacts	AWG	Item No.	





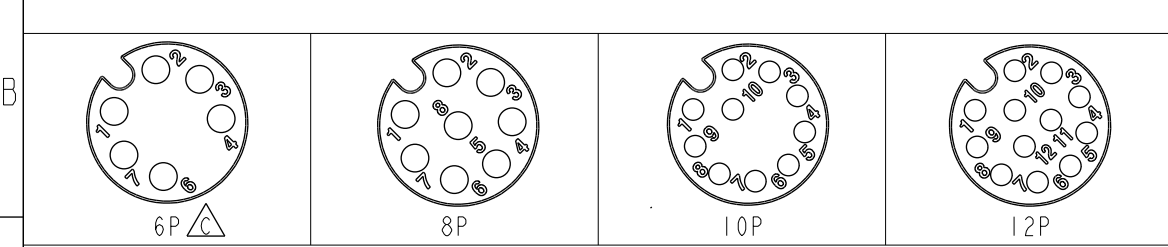
  
 M12A-XXPFFS-SF8BXX



XX: No. Of Pin


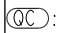
10: 100mm  
 15: 150mm  
 20: 200mm  
 }  
 95: 950mm  
 Cable Pitch Unit=50mm

A0: 1000mm  
 }  
 A5: 1500mm  
 Cable Pitch Unit=100mm  
 Wire Length (L): 150~1500 mm


8	--	8	Red	紅	8	--	12	--	12	Red/Blue	紅/藍
7	Blue	7	Blue	藍	7	Blue	11	--	11	Gray/Pink	灰/粉
6	Pink	6	Pink	粉	6	Pink	10	Violet	10	Violet	紫
5	--	5	Gray	灰	5	Gray	9	Black	9	Black	黑
4	Yellow	4	Yellow	黃	4	Yellow	8	Red	8	Red	紅
3	Green	3	Green	綠	3	Green	7	Blue	7	Blue	藍
2	Brown	2	Brown	棕	2	Brown	6	Pink	6	Pink	粉
1	White	1	White	白	1	White	5	Gray	5	Gray	灰
							4	Yellow	4	Yellow	黃
							3	Green	3	Green	綠
							2	Brown	2	Brown	棕
							1	White	1	White	白



UNIT: mm		
TOLERANCE		
.X	±0.25	
.XX	±0.1	
.XXX	±0.05	
ANGLES	±1°	

TITLE N SEN, M12 A, SCREW RECEPTACLE, F, F, SOLDER 			
SCALE	3:2	SIZE	A4
SHEET	2	OF	2
REV.	G	WC-REV.	A.3
 : Inspection item			

**Amphenol LTW**  
 安費諾亮泰企業股份有限公司

ITEM NO.	DWG NO.	CUSTOMER	DRAWN BY	CHECKED BY	APPROVED BY	DATE
	 M12A-XXPFFS-SF8BXX	ALTW	Ruru	Rita	Max	2019-09-19