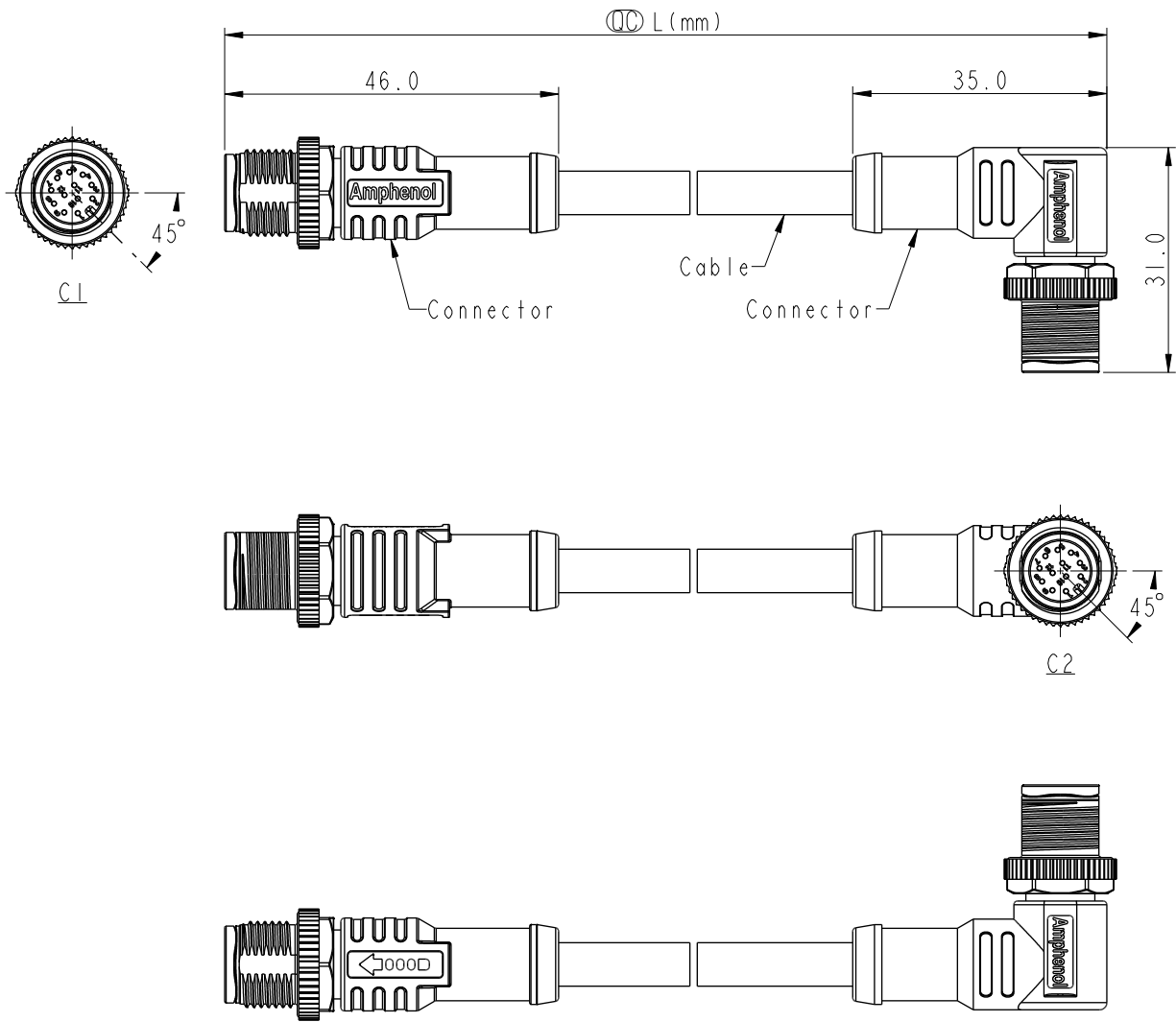


THIS DOCUMENT IS SUBJECT TO CHANGE WITHOUT NOTICE. IT IS CONFIDENTIAL AND A PROPERTY OF Amphenol LTW. DISCLOSURE TO THIRD PARTY HAS TO BE AUTHORIZED BY Amphenol LTW.

REV.	ECN NO.	DATE	SIGN	DESCRIPTION
B	C201756 & 57	2020/11/16	Vicky	$\triangle B$ X4
C	C210022	2021/01/07	Vicky	$\triangle C$ X2
D	C210228	2021/04/01	Vicky	$\triangle D$ X4

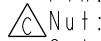


Note:

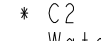
- * RoHS Compliant
- * \circ Important dimension
- * C1

Waterproof rate: IPX8, mated 1m/24h
IPX9K, mated

Housing: Thermoplastic, Black
Pin: Copper alloy, Gold plated

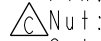


Nut: Metal
Outer Mold: Thermoplastic, Black

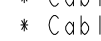


Waterproof rate: IPX8, mated 1m/24h
IPX9K, mated

Housing: Thermoplastic, Black
Pin: Copper alloy, Gold plated



Nut: Metal
Outer Mold: Thermoplastic, Black



- * Cable: UL20549, PUR Jacket, Black
- * Cable Length Tolerance:

0.5M < L ≤ 1M:	+60/-0 mm
1M < L ≤ 3M:	+120/-0 mm
3M < L ≤ 5M:	+160/-0 mm
5M < L ≤ 10M:	±100 mm
10M < L ≤ 20M:	±200 mm
20M < L ≤ 30M:	±300 mm
30M < L ≤ 99M:	±500 mm

UNIT: mm		TITLE	ACC, SEN, A Code, DB-ENDED $\triangle D$
TOLERANCE	$\pm 0.5mm$	SCALE	1:2
		SIZE	A4
		SHEET	1 OF 2
		REV.	D
		WC-REV.	A.1
		\circ Inspection item	

Amphenol LTW
安費諾亮泰企業股份有限公司

ITEM NO	DRAWN BY	DATE
	Vicky	2018-12-05
DWG NO	CHECKED BY	DATE
$\triangle B$ M12AXXML-12AMR-SBXXX	Rita	2018-12-05
CUSTOMER	APPROVED BY	DATE
ALTW	Max	2018-12-05

