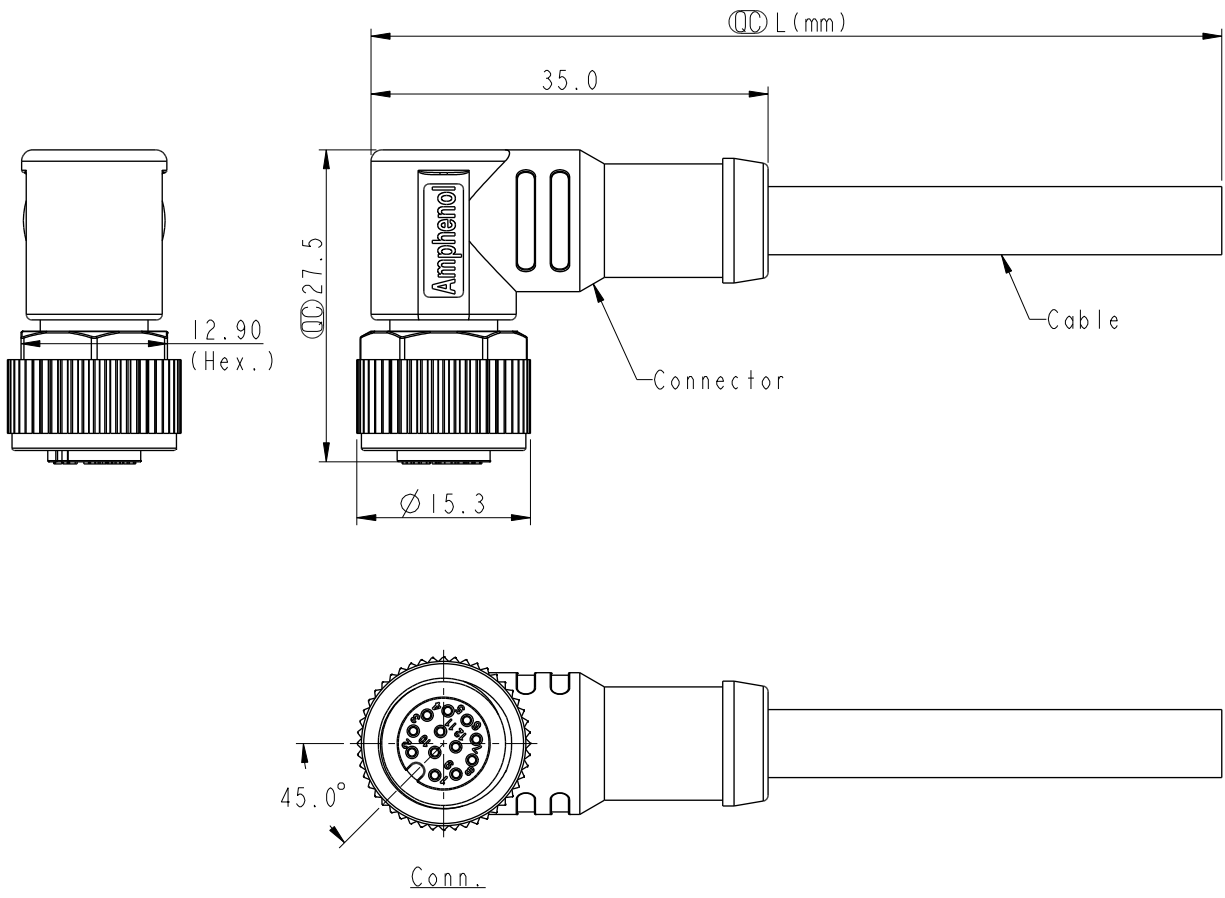


THIS DOCUMENT IS SUBJECT TO CHANGE WITHOUT NOTICE. IT IS CONFIDENTIAL AND A PROPERTY OF Amphenol LTW. DISCLOSURE TO THIRD PARTY HAS TO BE AUTHORIZED BY Amphenol LTW.

REV.	ECN NO.	DATE	SIGN	DESCRIPTION
D	LEN1750097~102	2017/04/06	Lingpeng	Change The Cable OD
E	C201596	2020/10/16	Ruru	△E X5
F	C210220	2021/03/02	Vicky	△F X4



Note:

- * RoHS Compliant
- * \varnothing Important dimension
- * \triangle Waterproof rate: IPX8, mated 1m/24h
IPX9K, mated
- * Connector
Housing: Thermoplastic, Black
Pin: Copper alloy, Gold plated
O-Ring: Rubber, Green
Nut: Metal
- * Outer mold: Thermoplastic, Black
- * Cable: UL20549, PUR Jacket, Black
- * Cable length tolerance: 1M: +50/-0 mm

1M < L ≤ 3M	+100/-0 mm
3M < L ≤ 5M	+150/-0 mm
5M < L ≤ 10M	±100 mm
10M < L ≤ 20M	±200 mm
20M < L ≤ 30M	±300 mm
30M < L ≤ 99M	±500 mm

UNIT: mm		
TOLERANCE	±0.5mm	

TITLE N SEN, M12 A, SCREW CABLE W/O SR, F, F, MOLDING			\triangle E
SCALE 3:2	SIZE A4	SHEET 1 OF 2	
REV. F	WC-REV. A.2	\varnothing : Inspection item	

Amphenol LTW
安費諾亮泰企業股份有限公司

ITEM NO.	DRAWN BY Lingpeng	DATE 2017-04-06
DWG NO. \triangle E M12A-XXBFFM-SR8BXX	CHECKED BY Ma Fei	DATE 2017-04-06
CUSTOMER ALTW	APPROVED BY Jerry	DATE 2017-04-06

F

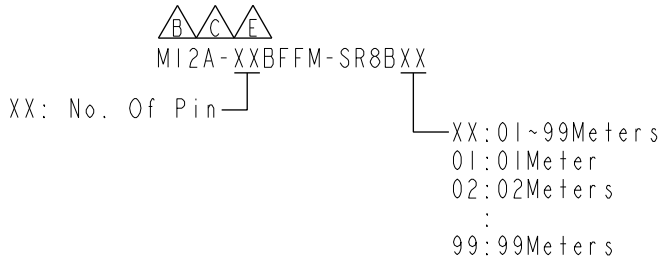
E

D

C

B

A



D	12P	6.0	26	M12A-12BFFM-SR8BXX
	10P			M12A-10BFFM-SR8BXX
C	8P	4.8	24	M12A-08BFFM-SR8BXX
	6P			M12A-06BFFM-SR8BXX
D	5P	4.4	22	M12A-05BFFM-SR8BXX
	4P			M12A-04BFFM-SR8BXX
	3P			M12A-03BFFM-SR8BXX
E	Contacts	Cable OD	AWG	Item No.

Pin Out	Wire	Wire	Wire	Wire	Wire	Wire	Wire
5	--	--	Gray	--	8	--	12
4	Black	Black	Black	Blue	7	Blue	11
3	Blue	Blue	Blue	Pink	6	Pink	10
2	--	White	White	--	5	Gray	9
1	Brown	Brown	Brown	Yellow	4	Yellow	8
				Green	3	Green	7
				Brown	2	Brown	6
				White	1	White	5
							4
							3
							2
							1

Pin Assignments Front View

UNIT:mm TOLERANCE ±0.5mm	TITLE N SEN, M12 A, SCREW CABLE W/O SR, F, F, MOLDING		Amphenol LTW 安費諾亮泰企業股份有限公司	ITEM NO	DRAWN BY Lingpeng	DATE 2017-04-06	
	SCALE 3:2	SIZE A4		SHEET 2 OF 2	DWG NO M12A-XXBFFM-SR8BXX	CHECKED BY Ma Fei	DATE 2017-04-06
	REV. F	WC-REV. A.2		QC: Inspection item	CUSTOMER ALTW	APPROVED BY Jerry	DATE 2017-04-06

THIS DOCUMENT IS SUBJECT TO CHANGE WITHOUT NOTICE. IT IS CONFIDENTIAL AND A PROPERTY OF Amphenol LTW. DISCLOSURE TO THIRD PARTY HAS TO BE AUTHORIZED BY Amphenol LTW.