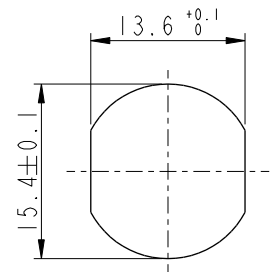


THIS DOCUMENT IS SUBJECT TO CHANGE WITHOUT NOTICE. IT IS CONFIDENTIAL AND A PROPERTY OF Amphenol LTW. DISCLOSURE TO THIRD PARTY HAS TO BE AUTHORIZED BY Amphenol LTW.

REV.	ECN NO.	DATE	SIGN	DESCRIPTION
C	LENI680907~918	2016/08/06	Yulong_wang	Add 6Pin & IP69K.
D	C201578	2020/10/16	Ruru	$\triangle D$ X8
E	C210309	2021/02/24	Ruru	$\triangle E$ X2

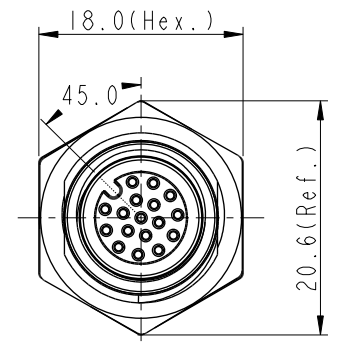
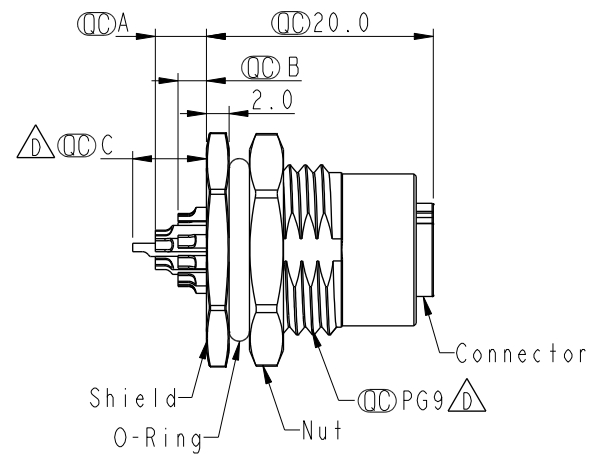
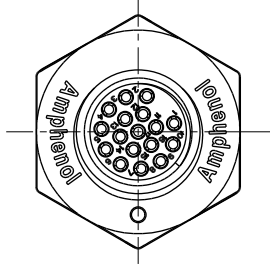


$\triangle B$
 $\triangle D$

$\triangle C$ $\triangle D$
M12A-XXPFFS-SF8001

XX: No. Of Pin

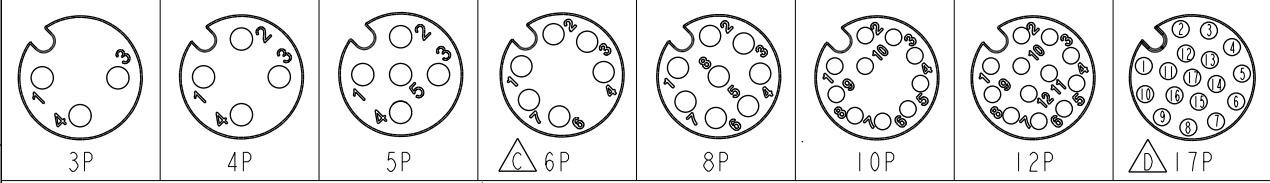
Recommended
Panel Cut-Out



$\triangle C$ $\triangle D$

M12A-03PFFS-SF8001		2.5	
M12A-04PFFS-SF8001		2.5	
M12A-05PFFS-SF8001		2.5	
M12A-06PFFS-SF8001		2.5	
M12A-08PFFS-SF8001		2.5	
M12A-10PFFS-SF8001	4.5	2.5	
M12A-12PFFS-SF8001	4.5	2.5	
M12A-17PFFS-SF8001	4.5	2.5	6.5
Item No.	A	B	C
	Pin伸出長度		

- $\triangle D$ $\triangle E$ Note:
- * RoHS Compliant
 - * $\triangle C$ Important dimension
 - * $\triangle C$ Waterproof rate: IPX8, unmated 1m/24h
IPX9K, unmated
 - * Connector
Housing: Thermoplastic, Black
Pin: Copper alloy, Gold plated
O-Ring: Rubber, Green
 - * Shield: Metal
 - * Nut: Metal
 - * O-Ring: Rubber, Black
 - * For panel thickness max: 4.5mm
 - * Nut is packed separately in pe bag



Pin Assignment Front View

UNIT: mm			TITLE N SEN, M12 A, SCREW RECEPTACLE, F, F, SOLDER $\triangle E$
TOLERANCE .X ±0.25 .XX ±0.1 .XXX ±0.05 ANGLES ±1°	SCALE 3:2	SIZE A4	SHEET 1 OF 1
	REV. E	WC-REV. A.5	$\triangle C$: Inspection item

Amphenol LTW
安費諾亮泰企業股份有限公司

ITEM NO.	DRAWN BY Yulong_wang	DATE 2016-08-06
DWG NO. $\triangle A$ M12A-XXPFFS-SF8001	CHECKED BY Jinhai	DATE 2016-08-06
CUSTOMER ALTW	APPROVED BY Jerry	DATE 2016-08-06