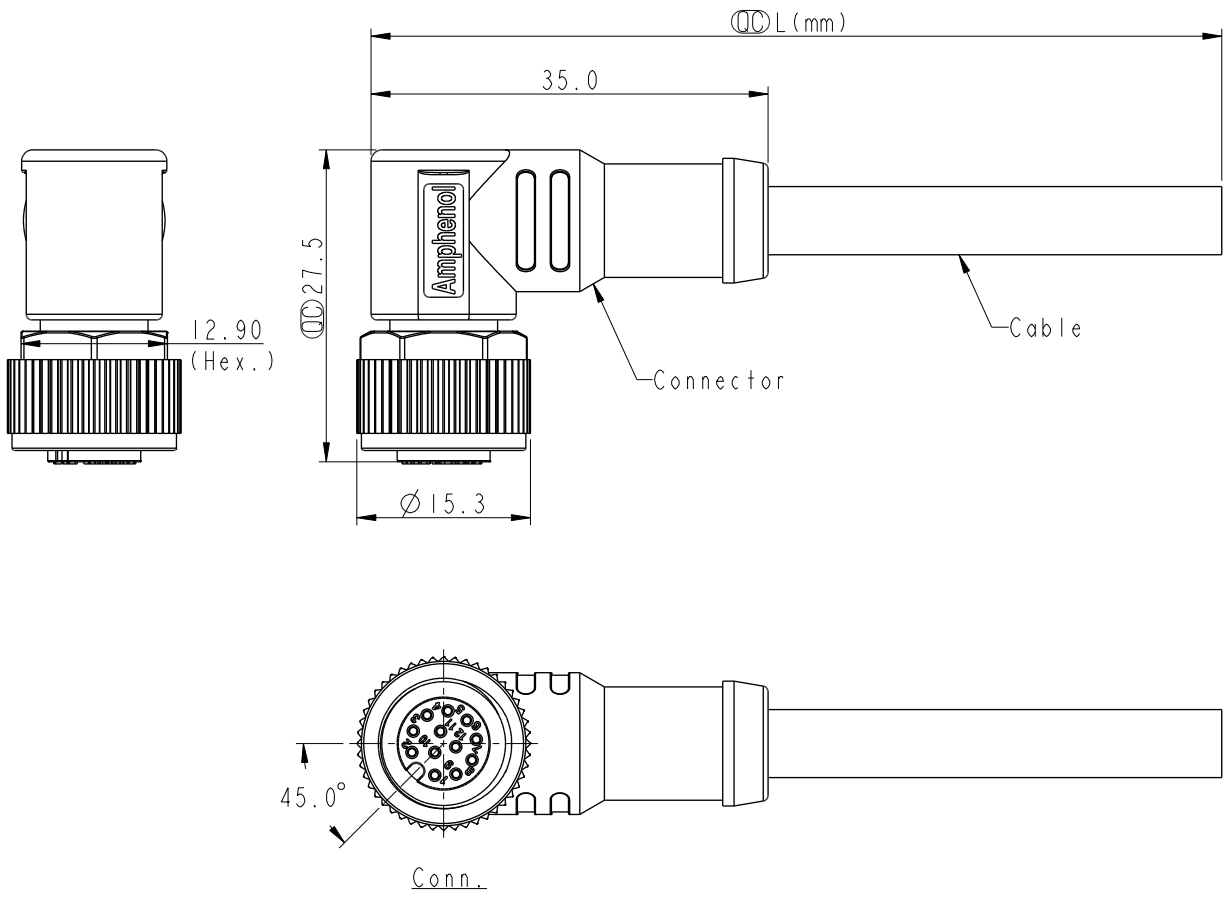


REV.	ECN NO.	DATE	SIGN	DESCRIPTION
D	LEN1750097~102	2017/04/06	Lingpeng	Change The Cable OD
E	C201596	2020/10/16	Ruru	△E X5
F	C210220	2021/03/02	Vicky	△F X4



Note:

- * RoHS Compliant
- * \varnothing Important dimension
- △ * Waterproof rate: IPX8, mated 1m/24h
IPX9K, mated

- * Connector
- Housing: Thermoplastic, Black
- Pin: Copper alloy, Gold plated
- O-Ring: Rubber, Green
- Nut: Metal
- Outer mold: Thermoplastic, Black
- * Cable: UL2517, PVC Jacket, Black
- * Cable length tolerance: 1M: +50/-0 mm
- 1M < L ≤ 3M: +100/-0 mm
- 3M < L ≤ 5M: +150/-0 mm
- 5M < L ≤ 10M: ±100 mm
- 10M < L ≤ 20M: ±200 mm
- 20M < L ≤ 30M: ±300 mm
- 30M < L ≤ 99M: ±500 mm

UNIT: mm
TOLERANCE
±0.5mm




TITLE N SEN, M12 A, SCREW CABLE W/O SR, F, F, MOLDING			△E
SCALE 3:2	SIZE A4	SHEET 1 OF 2	
REV. F	WC-REV. A.2	Ⓞ: Inspection item	

Amphenol LTW
安費諾亮泰企業股份有限公司

ITEM NO.	DRAWN BY Lingpeng	DATE 2017-04-06
DWG NO. △E M12A-XXBFFM-SR8DXX	CHECKED BY Ma Fei	DATE 2017-04-06
CUSTOMER ALTW	APPROVED BY Jerry	DATE 2017-04-06

THIS DOCUMENT IS SUBJECT TO CHANGE WITHOUT NOTICE. IT IS CONFIDENTIAL AND A PROPERTY OF Amphenol LTW. DISCLOSURE TO THIRD PARTY HAS TO BE AUTHORIZED BY Amphenol LTW.

THIS DOCUMENT IS SUBJECT TO CHANGE WITHOUT NOTICE. IT IS CONFIDENTIAL AND A PROPERTY OF Amphenol LTW. DISCLOSURE TO THIRD PARTY HAS TO BE AUTHORIZED BY Amphenol LTW.

 M12A-XXBFFM-SR8DXX XX: No. Of Pin							12P 10P 8P 6P 5P 4P 3P Contacts	6.0 5.5 5.0 5.1 4.8 4.5 Cable OD	26 24 22 AWG	M12A-12BFFM-SR8DXX M12A-10BFFM-SR8DXX M12A-08BFFM-SR8DXX M12A-06BFFM-SR8DXX M12A-05BFFM-SR8DXX M12A-04BFFM-SR8DXX M12A-03BFFM-SR8DXX Item No.	
				XX: 01~99Meters 01: 01Meter 02: 02Meters : 99: 99Meters							

Pin Out	Pin #	Wire	Pin #	Wire	Pin #	Wire	Pin #	Wire	Pin #	Wire	Pin #	Wire
	5	--	5	--	5	Gray	灰	5	Gray	灰	5	Gray
	4	Black	4	Black	4	Black	黑	4	Black	黑	4	Black
	3	Blue	3	Blue	3	Blue	藍	3	Blue	藍	3	Blue
	2	--	2	White	2	White	白	2	Brown	棕	2	Brown
	1	Brown	1	Brown	1	Brown	棕	1	Brown	棕	1	Brown
	8	--	8	--	8	Red	紅	8	Red	紅	8	Red
	7	Blue	7	Blue	7	Blue	藍	7	Blue	藍	7	Blue
	6	Pink	6	Pink	6	Pink	粉	6	Pink	粉	6	Pink
	5	--	5	--	5	Gray	灰	5	Gray	灰	5	Gray
	4	Yellow	4	Yellow	4	Yellow	黃	4	Yellow	黃	4	Yellow
	3	Green	3	Green	3	Green	綠	3	Green	綠	3	Green
	2	Brown	2	Brown	2	Brown	棕	2	Brown	棕	2	Brown
	1	White	1	White	1	White	白	1	White	白	1	White
	12	--	12	Red/Blue	12	Red/Blue	紅/藍	12	Red/Blue	紅/藍	12	Red/Blue
	11	--	11	Gray/Pink	11	Gray/Pink	灰/粉	11	Gray/Pink	灰/粉	11	Gray/Pink
	10	Violet	10	Violet	10	Violet	紫	10	Violet	紫	10	Violet
	9	Black	9	Black	9	Black	黑	9	Black	黑	9	Black
	8	Red	8	Red	8	Red	紅	8	Red	紅	8	Red
	7	Blue	7	Blue	7	Blue	藍	7	Blue	藍	7	Blue
	6	Pink	6	Pink	6	Pink	粉	6	Pink	粉	6	Pink
	5	Gray	5	Gray	5	Gray	灰	5	Gray	灰	5	Gray
	4	Yellow	4	Yellow	4	Yellow	黃	4	Yellow	黃	4	Yellow
	3	Green	3	Green	3	Green	綠	3	Green	綠	3	Green
	2	Brown	2	Brown	2	Brown	棕	2	Brown	棕	2	Brown
	1	White	1	White	1	White	白	1	White	白	1	White

Pin Assignments Front View

UNIT:mm			TITLE											
TOLERANCE			N SEN, M12 A, SCREW CABLE W/O SR, F, F, MOLDING			Amphenol LTW			ITEM NO		DRAWN BY		DATE	
±0.5mm			SCALE 3:2			安費諾亮泰企業股份有限公司			DWG NO		CHECKED BY		DATE	
			SIZE A4						M12A-XXBFFM-SR8DXX		Ma Fei		2017-04-06	
			SHEET 2 OF 2			CUSTOMER		APPROVED BY		DATE		2017-04-06		
			REV. F			ALTW		Jerry		2017-04-06		W10814-03-0001A2		
			WC-REV. A.2											
			☉: Inspection item											