

THIS DOCUMENT IS SUBJECT TO CHANGE WITHOUT NOTICE. IT IS CONFIDENTIAL AND A PROPERTY OF AMPHENOL LTW. DISCLOSURE TO THIRD PARTY HAS TO BE AUTHORIZED BY AMPHENOL LTW.

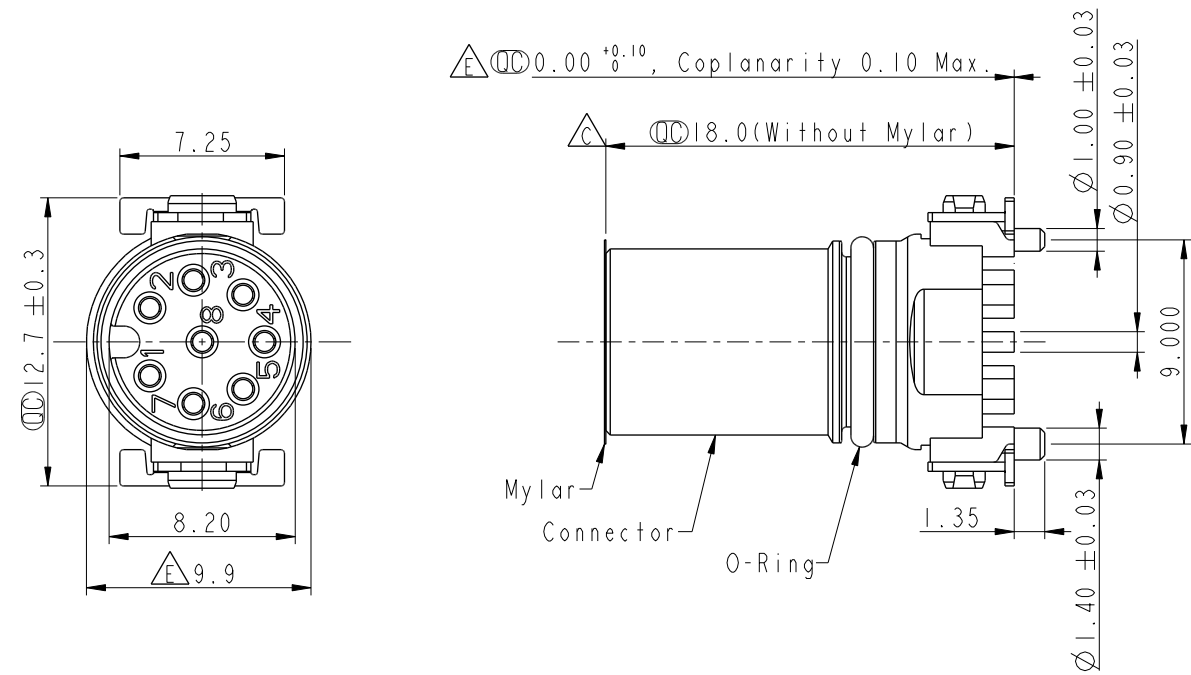
REV.	ECN NO.	DATE	SIGN	DESCRIPTION
C	C231467	2023/11/20	Yunchen	△C X6
D	C231528	2023/12/07	Cherry	△D X2
E	C240342	2024/04/12	Vicky	△E X4



M12A-XXPFFT-EE0001

XX: No. Of Pin

△C This connector design is for pin:4~12



- △B Note:
- \* RoHS Compliant
  - \* Ⓞ Important dimension
  - \* Waterproof rate: Non-Waterproof Connector
  - \* Housing: Thermoplastic, Black
  - \* Pin: Copper Alloy, Gold Plated
  - \* O-Ring: Rubber, Black
  - \* Mylar: PI, Amber

UNIT: mm		
TOLERANCE		
.X	±0.25	
.XX	±0.1	
.XXX	±0.05	
ANGLES	±1°	

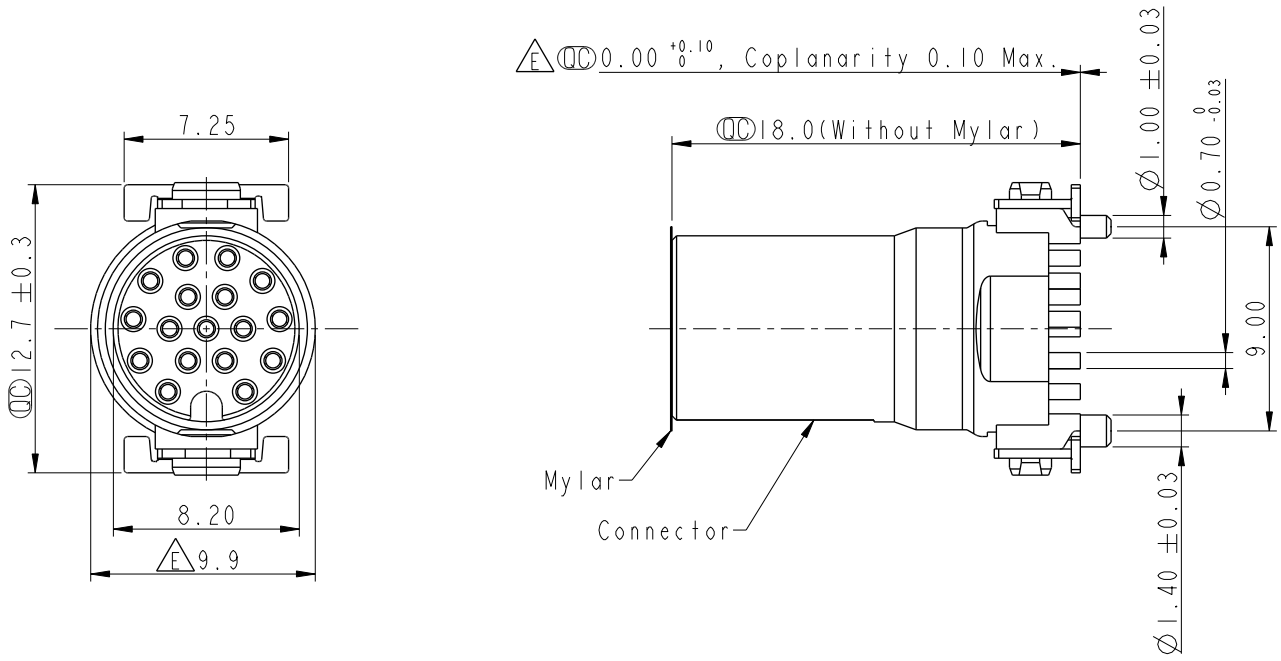
TITLE N SEN, M12 A, NONE RECEPTACLE, F, F, PCB SMT △B		
SCALE 3:1	SIZE A4	SHEET 1 OF 5
REV. E	WC-REV. A.1	Ⓞ: Inspection item

**Amphenol LTW**  
安費諾亮泰企業股份有限公司

ITEM NO	DRAWN BY Vicky	DATE 2024-04-12
DWG NO M12A-XXPFFT-EE0001	CHECKED BY Arvin	DATE 2024-04-12
CUSTOMER ALTW	APPROVED BY Fred	DATE 2024-04-12

THIS DOCUMENT IS SUBJECT TO CHANGE WITHOUT NOTICE. IT IS CONFIDENTIAL AND A PROPERTY OF Amphenol LTW. DISCLOSURE TO THIRD PARTY HAS TO BE AUTHORIZED BY Amphenol LTW.

△ This connector design is for pin:17



Note:

- \* RoHS Compliant
- \*  $\varnothing$  Important dimension
- \* Waterproof rate: Non-Waterproof
- \* Connector
- Housing: Thermoplastic, Black
- Pin: Copper Alloy, Gold Plated
- \* Mylar: PI, Amber

UNIT: mm	TITLE N SEN, M12 A, NONE RECEPTACLE, F, F, PCB SMT		
	SCALE 3:1	SIZE A4	SHEET 2 OF 5
	REV. E	WC-REV. A.1	$\varnothing$ : Inspection item

**Amphenol LTW**  
安費諾亮泰企業股份有限公司

ITEM NO	DRAWN BY Vicky	DATE 2024-04-12
DWG NO M12A-XXPFFT-EE0001	CHECKED BY Arvin	DATE 2024-04-12
CUSTOMER ALTW	APPROVED BY Fred	DATE 2024-04-12

THIS DOCUMENT IS SUBJECT TO CHANGE WITHOUT NOTICE. IT IS CONFIDENTIAL AND A PROPERTY OF Amphenol LTW. DISCLOSURE TO THIRD PARTY HAS TO BE AUTHORIZED BY Amphenol LTW.

2 3 4 5 6 7 8

F

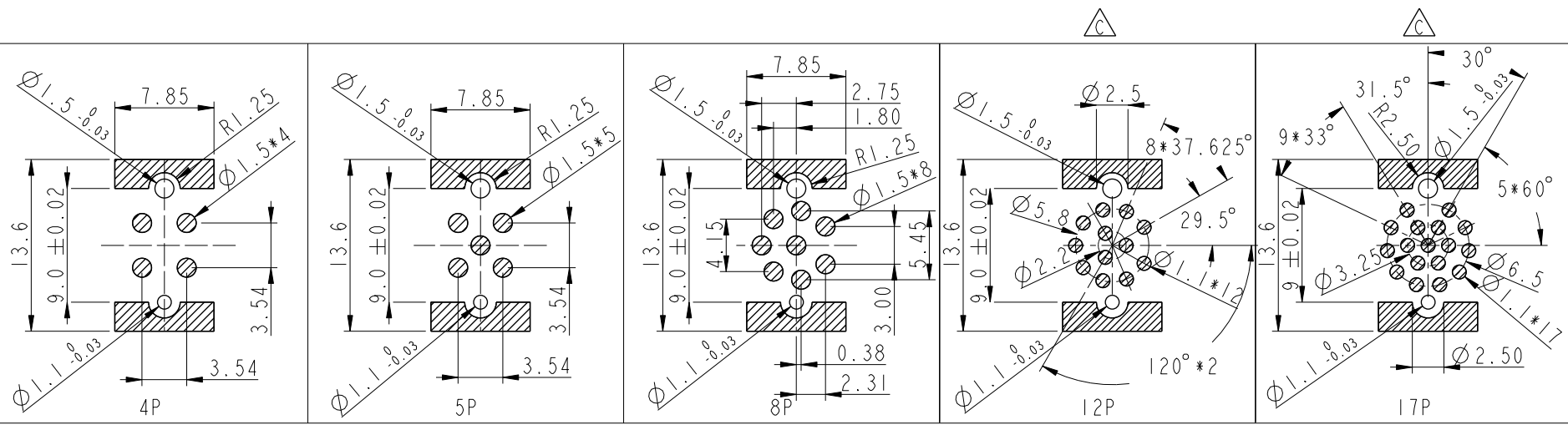
E

D

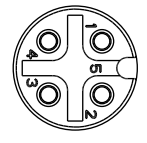
C

B

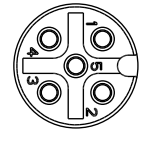
A



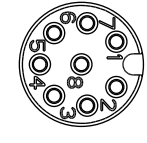
PCB Layout



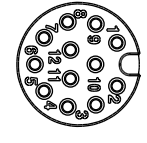
4P



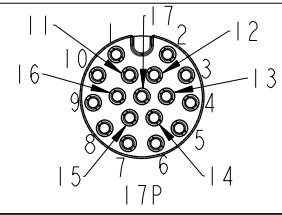
5P



8P



12P



17P

Pin Assignment Front View

UNIT: mm			
TOLERANCE			
.X	±0.25		
.XX	±0.1		
.XXX	±0.05		
ANGLES	±1°		

TITLE N SEN, M12 A, NONE RECEPTACLE, F, F, PCB SMT			
SCALE	SIZE	SHEET	OF
FREE	A4	3	5
REV.	WC-REV.	◎: Inspection item	
E	A.1		

**Amphenol LTW**  
安費諾亮泰企業股份有限公司

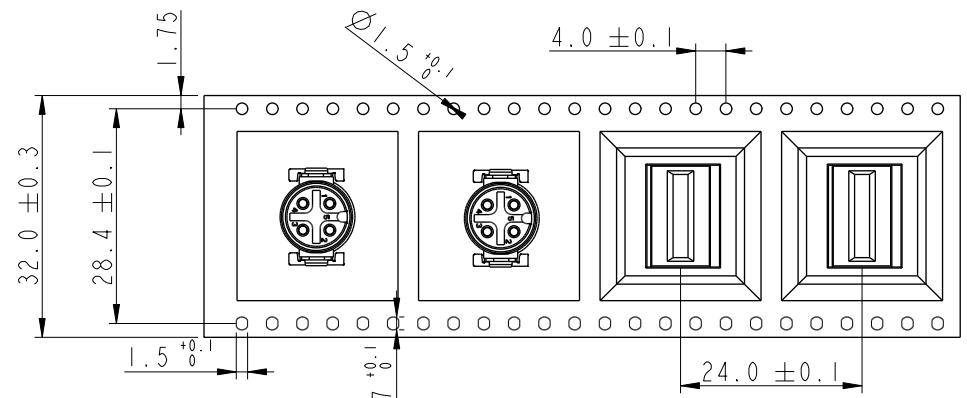
ITEM NO	DWG NO	CUSTOMER
	M12A-XXPFFT-EE0001	ALTW

DRAWN BY	CHECKED BY	APPROVED BY
Vicky	Arvin	Fred

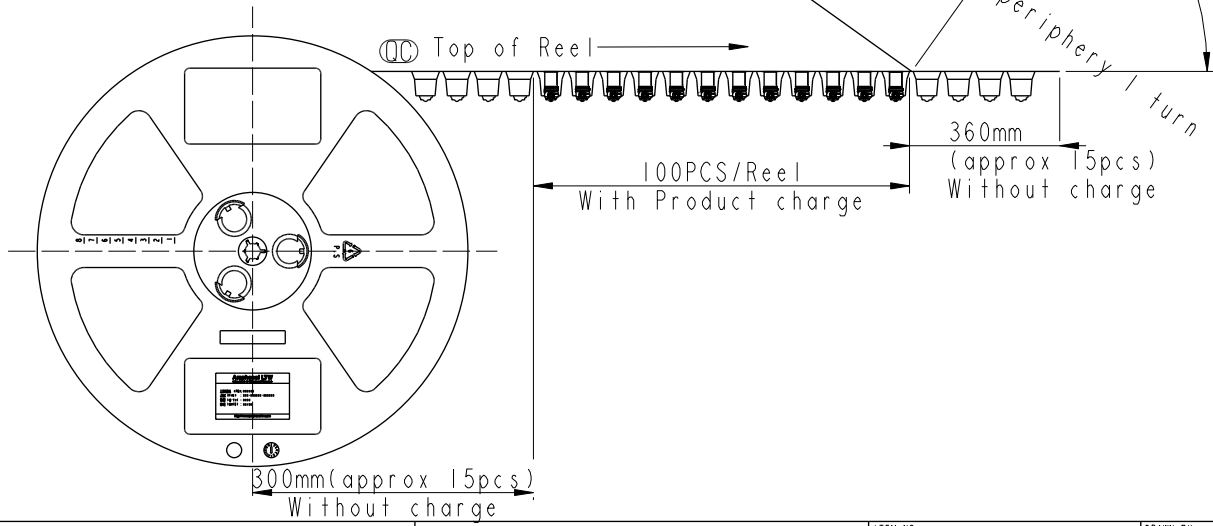
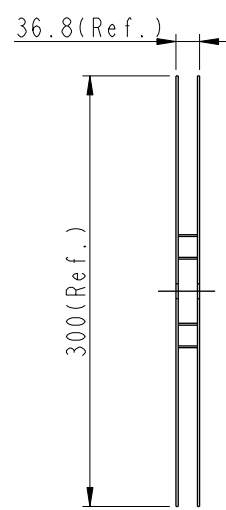
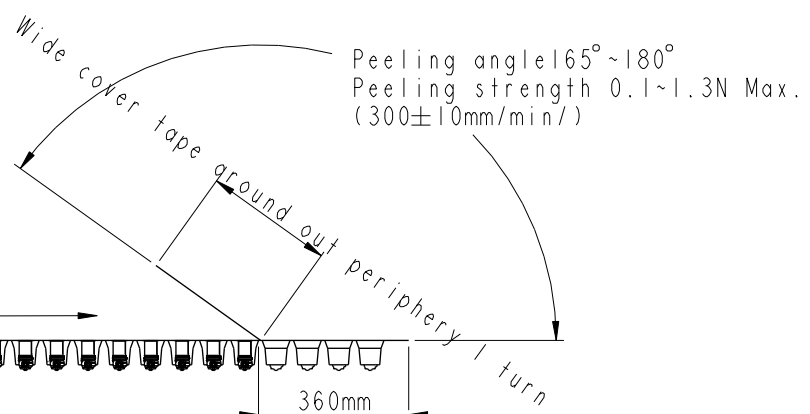
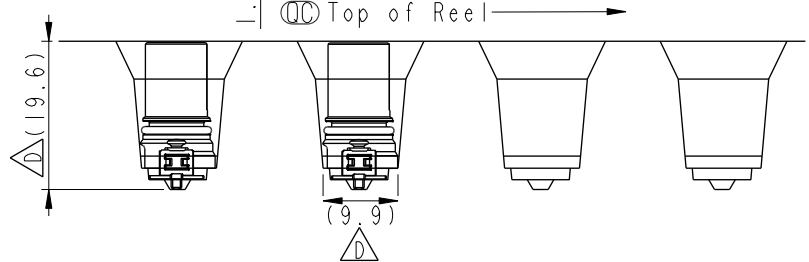
DATE	DATE	DATE
2024-04-12	2024-04-12	2024-04-12

2 3 4 5 6 7 8 W10814-03-001A2

THIS DOCUMENT IS SUBJECT TO CHANGE WITHOUT NOTICE. IT IS CONFIDENTIAL AND A PROPERTY OF Amphenol LTW. DISCLOSURE TO THIRD PARTY HAS TO BE AUTHORIZED BY Amphenol LTW.



NOTE:  
 \* Connector Orient follow Drawing  
 \* Connector Appearance at this page is reference only



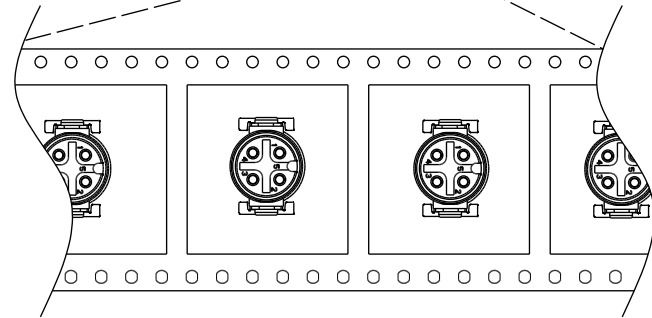
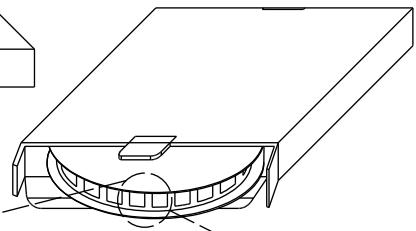
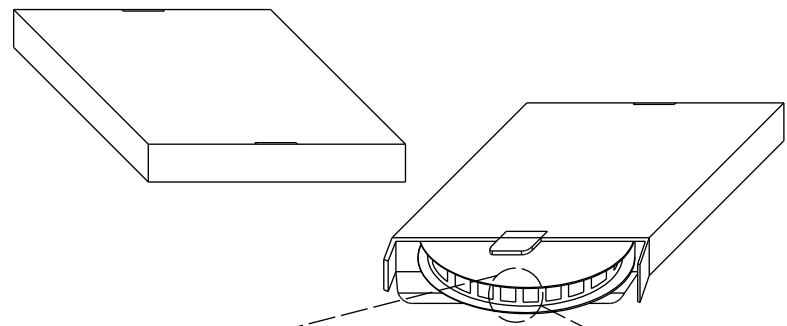
UNIT: mm		
TOLERANCE	.X ±0.25	
	.XX ±0.1	
	.XXX ±0.05	
ANGLES	±1°	

TITLE N SEN, M12 A, NONE RECEPTACLE, F, F, PCB SMT			
SCALE FREE	SIZE A4	SHEET 4 OF 5	
REV. E	WC-REV. A.1	: Inspection item	

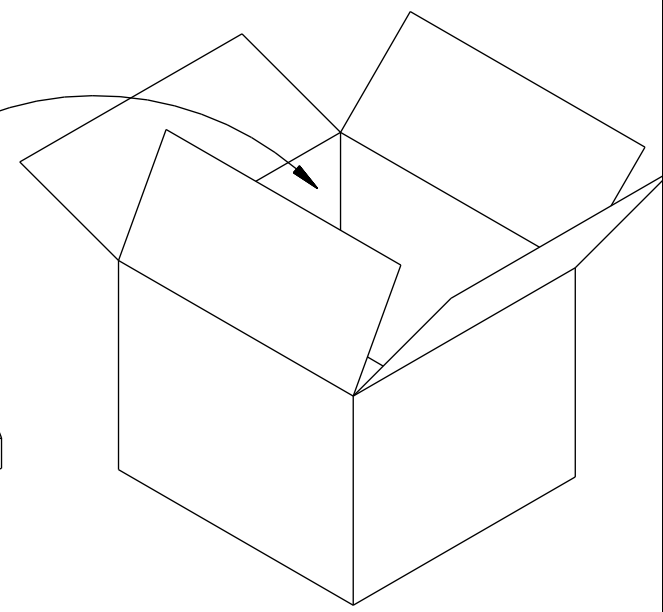
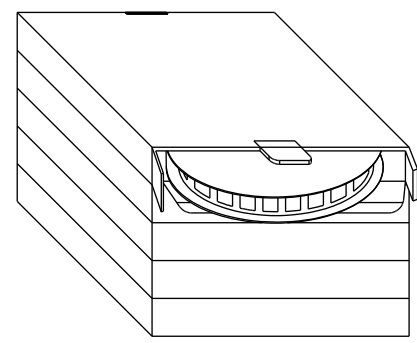
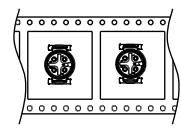
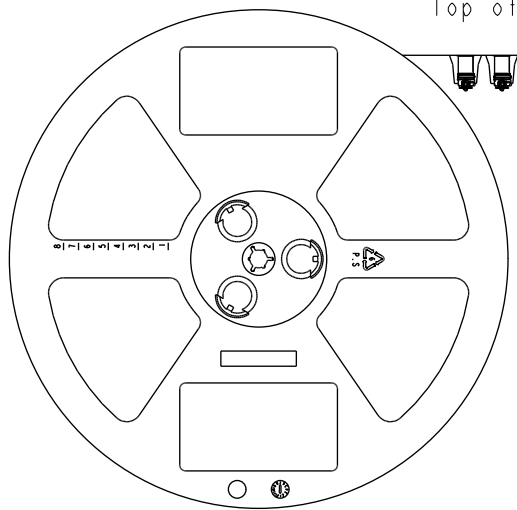
**Amphenol LTW**  
 安費諾亮泰企業股份有限公司

ITEM NO	DRAWN BY Vicky	DATE 2024-04-12
DWG NO M12A-XXPFPT-EE0001	CHECKED BY Arvin	DATE 2024-04-12
CUSTOMER ALTW	APPROVED BY Fred	DATE 2024-04-12

THIS DOCUMENT IS SUBJECT TO CHANGE WITHOUT NOTICE. IT IS CONFIDENTIAL AND A PROPERTY OF AMPHENOL LTW. DISCLOSURE TO THIRD PARTY HAS TO BE AUTHORIZED BY AMPHENOL LTW.

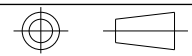


Top of Reel →



Note:  
 100 PCS(Connector)/Tape&Reel Put in a Box  
 5PCS(Max.) Box Put in a Carton

UNIT: mm



TOLERANCE  
 .X ±0.25  
 .XX ±0.1  
 .XXX ±0.05  
 ANGLES ±1°

TITLE N SEN, M12 A, NONE RECEPTACLE, F, F, PCB SMT			
SCALE FREE	SIZE A4	SHEET 5 OF 5	
REV. E	WC-REV. A.1	QC: Inspection item	

**Amphenol LTW**

安費諾亮泰企業股份有限公司

ITEM NO	DRAWN BY Vicky	DATE 2024-04-12
DWG NO M12A-XXPFPT-EE0001	CHECKED BY Arvin	DATE 2024-04-12
CUSTOMER ALTW	APPROVED BY Fred	DATE 2024-04-12