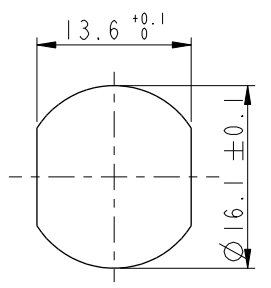


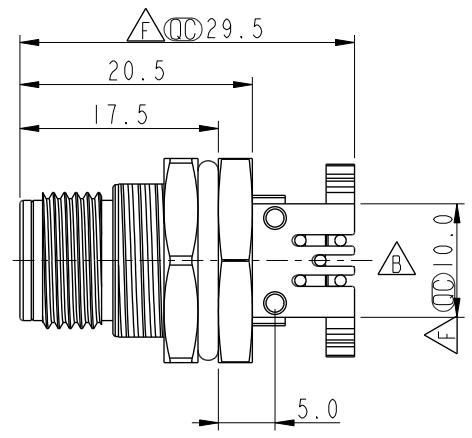
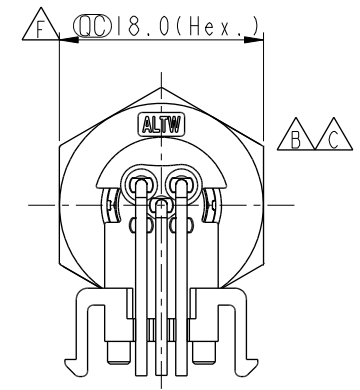
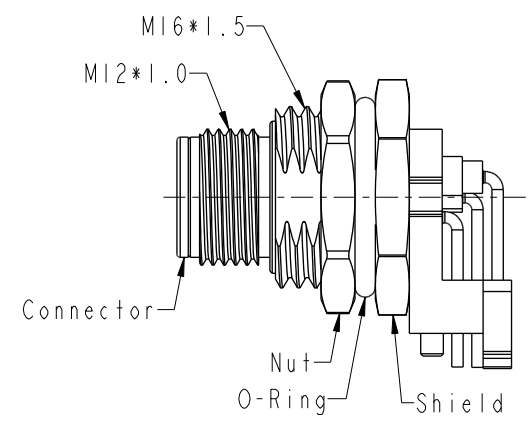
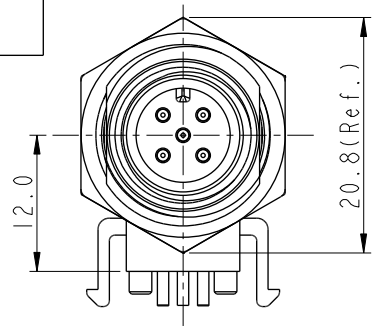
THIS DOCUMENT IS SUBJECT TO CHANGE WITHOUT NOTICE. IT IS CONFIDENTIAL AND A PROPERTY OF Amphenol LTW. DISCLOSURE TO THIRD PARTY HAS TO BE AUTHORIZED BY Amphenol LTW.

REV.	ECN NO.	DATE	SIGN	DESCRIPTION
D	C201547	2020/10/08	Vicky	△D X4
E	C210023	2021/01/14	Vicky	△E X2
F	C210309	2021/02/24	Ruru	△F X6

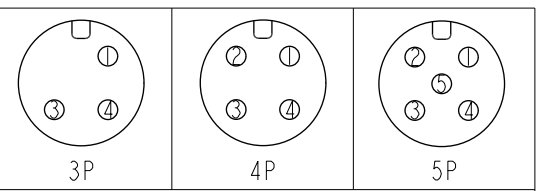


△D
M12A-XXPMMR-SF8002
XX: No. Of Pin

Recommended Panel Cut-Out



- △D △F Note:
- * RoHS Compliant
 - * ⌀ Important dimension
 - * Waterproof rate: IPX8, unmated 1m/24h
 - * Connector
 - Housing: Thermoplastic, Black
 - Pin: Copper alloy, Gold plated
 - Shield: Metal
 - Nut: Metal
 - O-Ring: Rubber, Black
 - * For panel thickness max: 4.5mm
 - * For pcb thickness max: 1.6mm
 - * Nut is packed separately in pe bag



Pin Assignment Front View

UNIT:mm		
TOLERANCE	.X ±0.25	
	.XX ±0.1	
	.XXX ±0.05	
ANGLES	±1°	

TITLE N SEN, M12 A, SCREW RECEPTACLE, M, M, PCB R △F			
SCALE 3:2	SIZE A4	SHEET 1 OF 2	
REV. F	WC-REV. .0	⌀: Inspection item	

Amphenol LTW
安費諾亮泰企業股份有限公司

ITEM NO	DRAWN BY Nan_Su	DATE 2019-08-14
DWG NO △D M12A-XXPMMR-SF8002	CHECKED BY Feng_Li	DATE 2019-08-14
CUSTOMER ALTW	APPROVED BY Jerry	DATE 2019-08-14

THIS DOCUMENT IS SUBJECT TO CHANGE WITHOUT NOTICE. IT IS CONFIDENTIAL AND A PROPERTY OF Amphenol LTW. DISCLOSURE TO THIRD PARTY HAS TO BE AUTHORIZED BY Amphenol LTW.

1 2 3 4 5 6 7 8

F

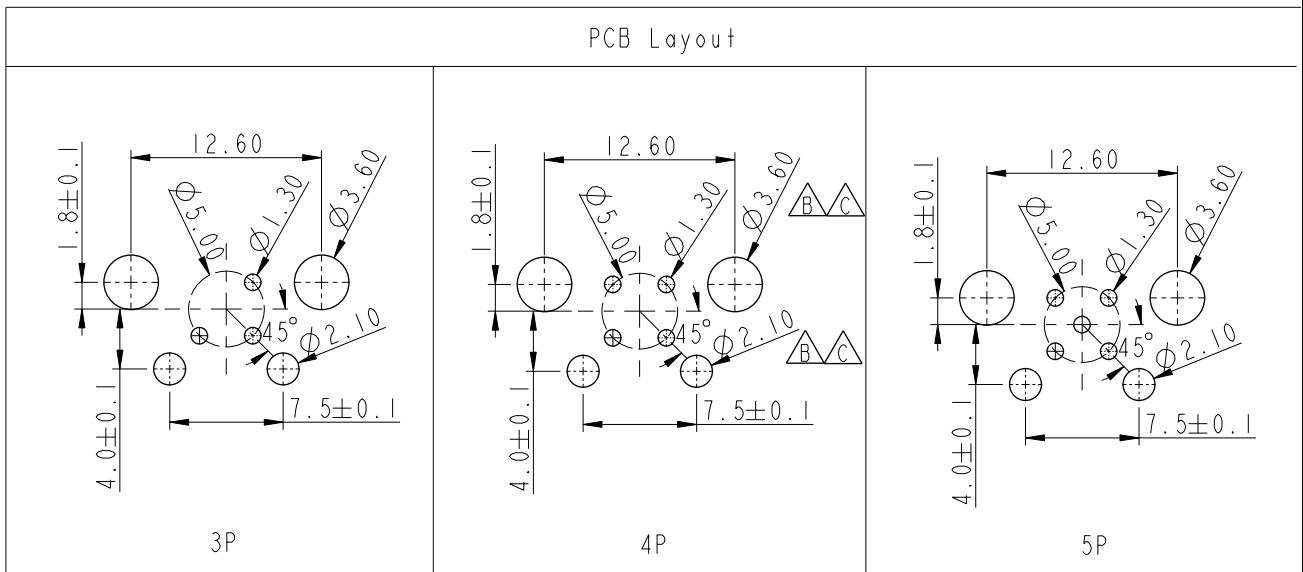
E

D

C

B

A



UNIT: mm		TITLE N SEN, M12 A, SCREW RECEPTACLE, M, M, PCB R	
TOLERANCE .X ±0.25 .XX ±0.1 .XXX ±0.05 ANGLES ±1°		SCALE 3:2	SIZE A4
		SHEET 2 OF 2	WC-REV. .0
		REV. F	Inspection item

Amphenol LTW

安費諾亮泰企業股份有限公司

ITEM NO	DRAWN BY Nan_Su	DATE 2019-08-14
DWG NO M12A-XXPMR-SF8002	CHECKED BY Feng_Li	DATE 2019-08-14
CUSTOMER ALTW	APPROVED BY Jerry	DATE 2019-08-14