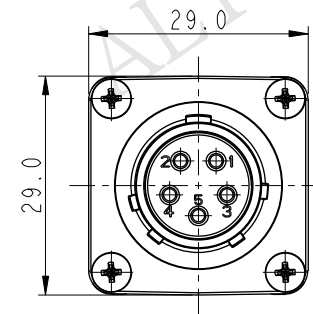
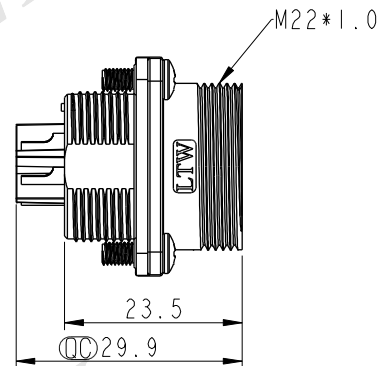
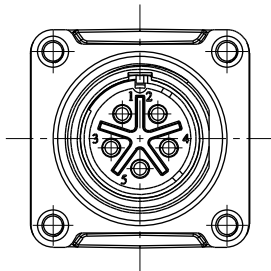
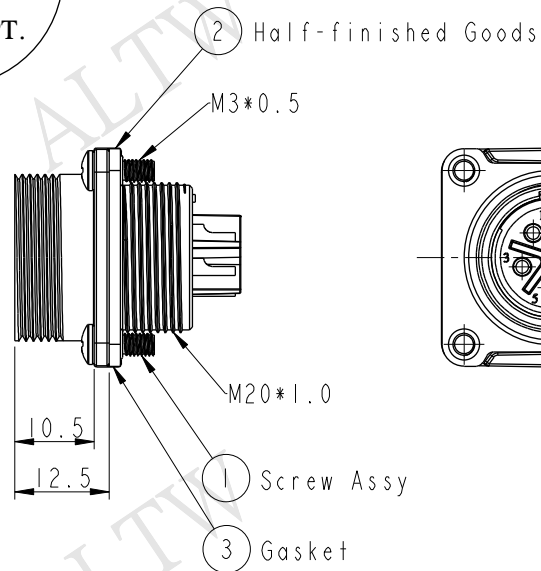
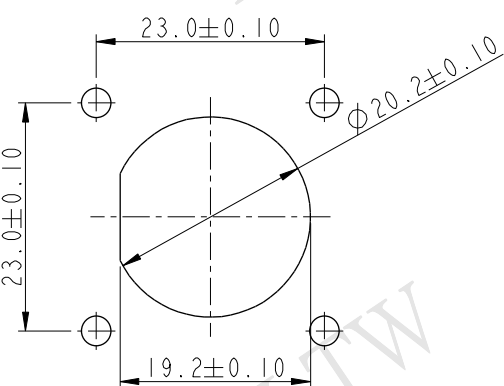


ALTW  
CONFIDENTIAL  
2016-05-04  
R&D DEPT.

REV.	ECN NO.	DATE	SIGN	DESCRIPTION
A	Initial Release	2012/10/22	Ruru	LB20-05PMFS-SS8001 To LB20-05PMFS-SW8001
B	LE31650226	2016/05/04	Vicky	Update Note

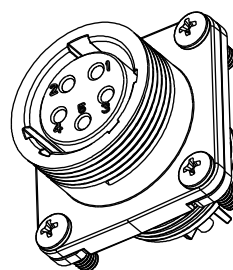
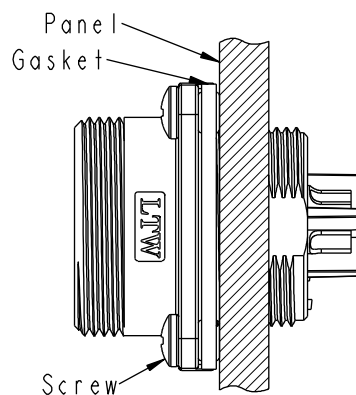


ALTW  
DCC. DEPT.  
CONFIDENTIAL  
2016.05.13  
ISSUED



Recommend Panel Cut-Out

Assembly Instruction



△ Note:

- \*  $\varnothing$  Important Dimension.
- \* Waterproof Rate: IP68.  
IP68: 1M depth of water in 24 Hrs.  
(防水等級: IP68)  
IP68: 水深一米測試24小時
- \* Shell: Zinc Alloy#3, Ni Plated, Silver.
- \* Insulation: Nylon, Black.
- \* Female Pin: Copper Alloy, Silver Plated.
- \* Gasket: Silicone, Gray.
- \* Screw: Stainless Steel.
- \* Recommended Panel Thickness 9mm(Max).

UNIT: mm		TITLE		ITEM NO	DRAWN BY	DATE
		PANEL SCREW 5PIN M CONN F PIN		LB20-05PMFS-SW8001	Vicky	2016-05-04
		SCALE	SIZE	DWG NO	CHECKED BY	DATE
		1:1	A4	LB20-05PMFS-SW8001	Rita	2016-05-04
TOLERANCE		REV.	WC-REV.	CUSTOMER	APPROVED BY	DATE
.X ±0.25		B	A.2	ALTW	Lisa	2016-05-04
.XX ±0.1		: Inspection item				
.XXX ±0.05						
ANGLES ±1°						

Amphenol LTW  
安費諾亮泰企業股份有限公司

THIS DOCUMENT IS SUBJECT TO CHANGE WITHOUT NOTICE. IT IS CONFIDENTIAL AND A PROPERTY OF Amphenol LTW. DISCLOSURE TO THIRD PARTY HAS TO BE AUTHORIZED BY Amphenol LTW.