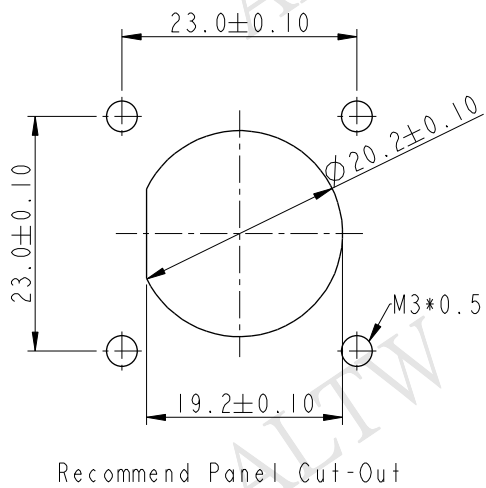
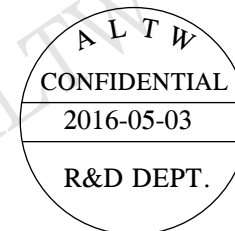
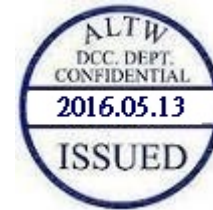
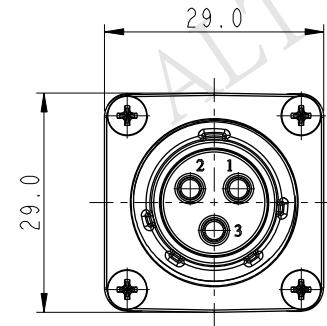
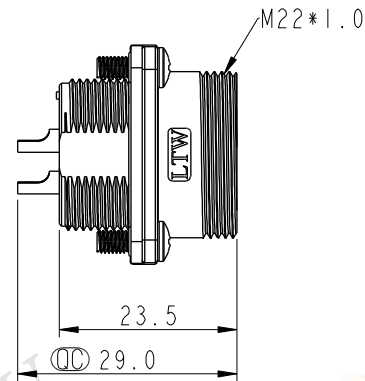
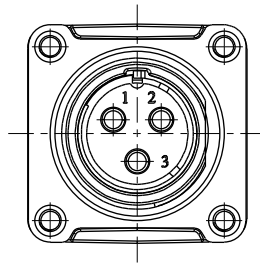
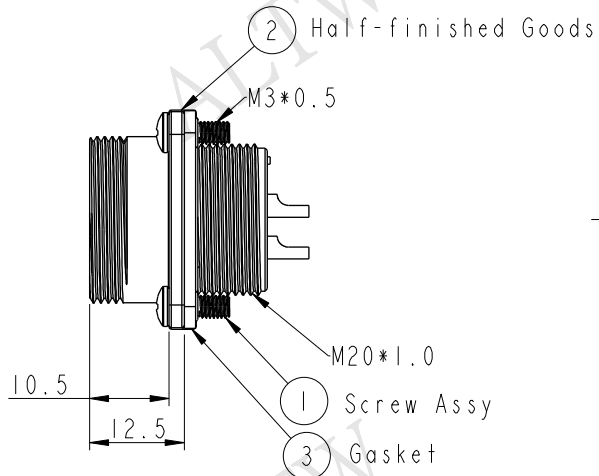
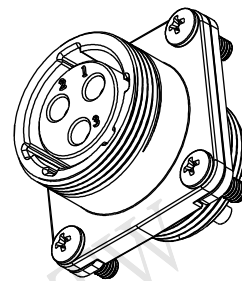
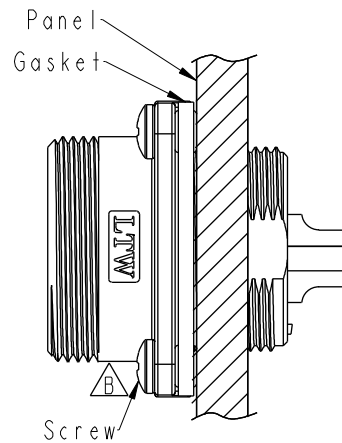


REV.	ECN NO.	DATE	SIGN	DESCRIPTION
A	Initial Release	2012/10/22	Ruru	HC20-03PMFS-SS8001 To HC20-03PMFS-SW8001
B	LEN14A0117	2014/09/13	Feng_Li	Change Logo Direction
C	LE31650216	2016/05/03	Vicky	Update Note



Assembly Instruction



Note:

- * \varnothing Important Dimension.
- * Waterproof Rate: IP68
IP68: 1M depth of water in 24 Hrs.
(防水等級: IP68)
IP68: 水深一米測試 24 小時
- * Shell: Zinc Alloy, Electrodeposition Coating, Black
- * Insulation: Nylon, Black
- * Female Pin: Copper Alloy, Gold Plated
- * Gasket: Silicone, Gray
- * Screw: Stainless Steel
- * Recommended Panel Thickness 9mm(Max).

UNIT: mm	
TOLERANCE	
.X	±0.25
.XX	±0.1
.XXX	±0.05
ANGLES	±1°

TITLE PANEL SCREW 3PIN M CONN F PIN			
SCALE 1:1	SIZE A4	SHEET 1 OF 1	
REV. C	WC-REV. A.3	\varnothing : Inspection item	

Amphenol LTW
安費諾亮泰企業股份有限公司

ITEM NO. HC20-03PMFS-SW8001	DRAWN BY Vicky	DATE 2016-05-03
DWG NO. HC20-03PMFS-SW8001	CHECKED BY Rita	DATE 2016-05-03
CUSTOMER ALTW	APPROVED BY Lisa	DATE 2016-05-03

THIS DOCUMENT IS SUBJECT TO CHANGE WITHOUT NOTICE. IT IS CONFIDENTIAL AND A PROPERTY OF Amphenol LTW. DISCLOSURE TO THIRD PARTY HAS TO BE AUTHORIZED BY Amphenol LTW.