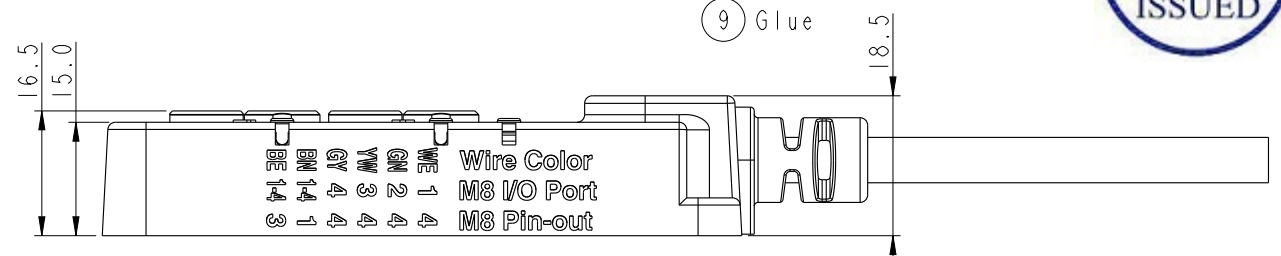
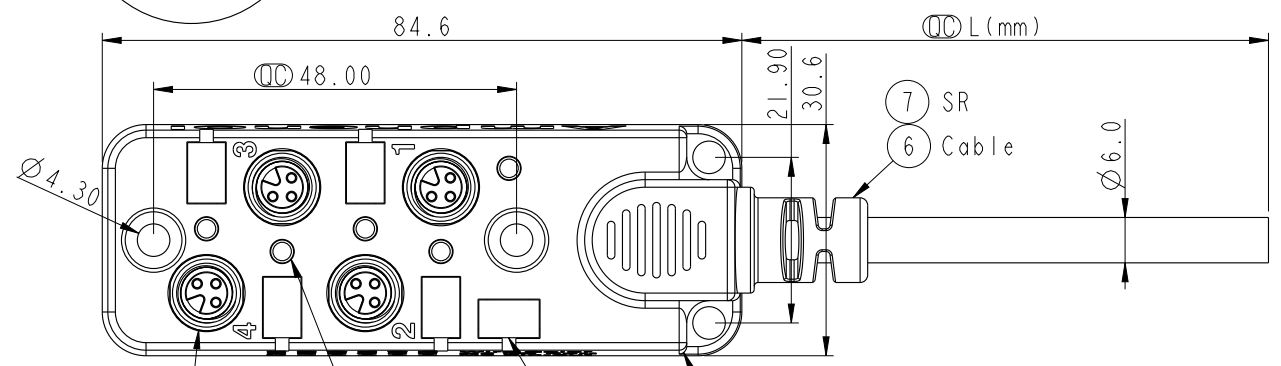


THIS DOCUMENT IS SUBJECT TO CHANGE WITHOUT NOTICE. IT IS CONFIDENTIAL AND A PROPERTY OF Amphenol LTW. DISCLOSURE TO THIRD PARTY HAS TO BE AUTHORIZED BY Amphenol LTW.

REV.	ECN NO.	DATE	SIGN	DESCRIPTION

ALTW
CONFIDENTIAL
2014-07-15
R&D DEPT.

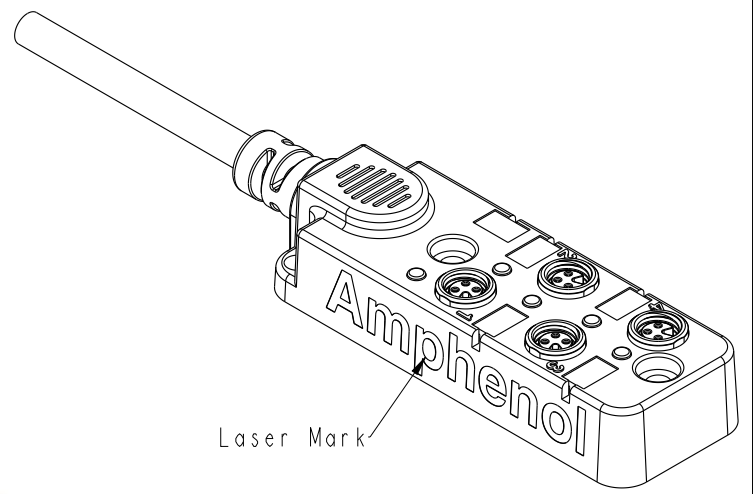


DB8-3A4CAB-SPS7BXX

XX:01~99 Meters
 01:01 Meter
 02:02 Meters
 ...
 99:99 Meters
 Cable Length(L):01~99 Meters

Cable Length Tolerance:
 01M:±40mm
 02M~05M:±60mm
 06M~10M:±100mm
 11M~30M:±200mm
 31M~99M:±500mm

ALTW
DCC. DEPT.
CONFIDENTIAL
2014.07.31
ISSUED



Note:
 * \varnothing Important Dimensions.
 Electrical:
 * Voltage: 24VDC, 30V DCMax.
 * Current Sum Max.: 6A
 * Power indicator: 1*LED, Green
 * Function Indicator: 4 * LED Yellow
 * Sensor Connections: M8*1, 3-pole Female
 * Switching Output: PNP
 Mechanical:
 * Box Material: PBT+PC, Black
 * Connector Housing Material: Nylon+GF, Black
 * Contact Material: Copper Alloy, Gold plated
 * No. of Ports: 4
 * Style: M8*1.0
 * Mounting type: M4 Screw
 * Cable: UL20549 18AWG*2C+22AWG*4C+ Filler+Paper, PUR Jacket, OD6.0, Black.
 Environmental:
 * Operating Temperature : -20°C~+80°C
 * Waterproof Rate: IP67 (Unmated)
 * Oil Resistant

UNIT: mm			TITLE M8 Distribution BOX With Cable
TOLERANCE .X ±0.25 .XX ±0.1 .XXX ±0.05 ANGLES ±1°	SCALE 1:1	SIZE A4	SHEET 1 OF 2
REV. A	WC-REV. A.5	QC: Inspection item	

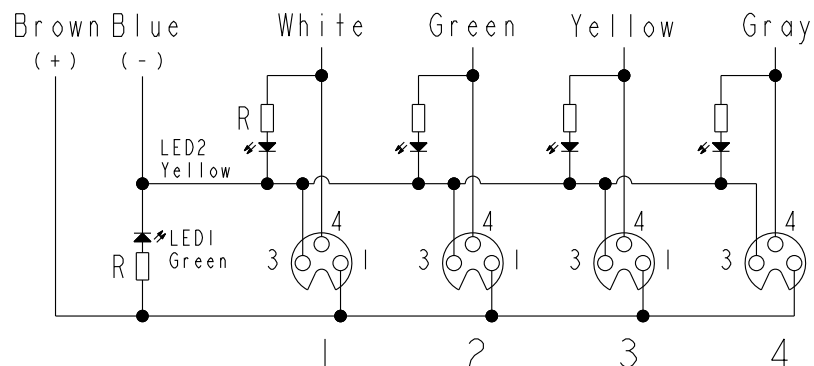
Amphenol LTW
安費諾亮泰企業股份有限公司

ITEM NO	DRAWN BY Tony_leng	DATE 2014-07-15
DWG NO DB8-3A4CAB-SPS7BXX	CHECKED BY Jimmy	DATE 2014-07-15
CUSTOMER ALTW	APPROVED BY Wenmao	DATE 2014-07-15

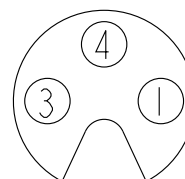
A B C D E F



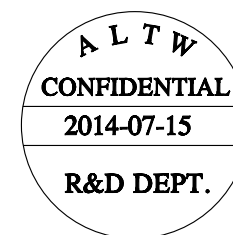
Wire Color



M8 I/O Ports



M8



Gray	灰	4	4	4
Yellow	黃	3	3	4
Green	綠	2	2	4
White	白	1	1	4
Blue	藍	BE(-)	1~4	3
Brown	棕	BN(+)	1~4	1
Wire Color	Pin NO.	M8 Port	M8 Pin	

UNIT:mm TOLERANCE .X ±0.25 .XX ±0.1 .XXX ±0.05 ANGLES ±1°		TITLE		Amphenol LTW 安費諾亮泰企業股份有限公司	ITEM NO	DRAWN BY	DATE			
		M8 Distribution BOX With Cable			DWG NO	DB8-3A4CAB-SPS7BXX	CHECKED BY	Jimmy	DATE	2014-07-15
		SCALE	1:1		SIZE	A4	SHEET	2	OF	2
REV.	A	WC-REV.	A.5	☉: Inspection item	CUSTOMER	ALTW	APPROVED BY	Wenmao	DATE	2014-07-15

THIS DOCUMENT IS SUBJECT TO CHANGE WITHOUT NOTICE. IT IS CONFIDENTIAL AND A PROPERTY OF Amphenol LTW. DISCLOSURE TO THIRD PARTY HAS TO BE AUTHORIZED BY Amphenol LTW.