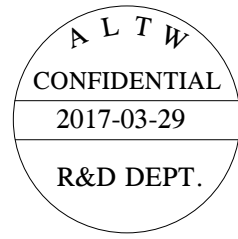
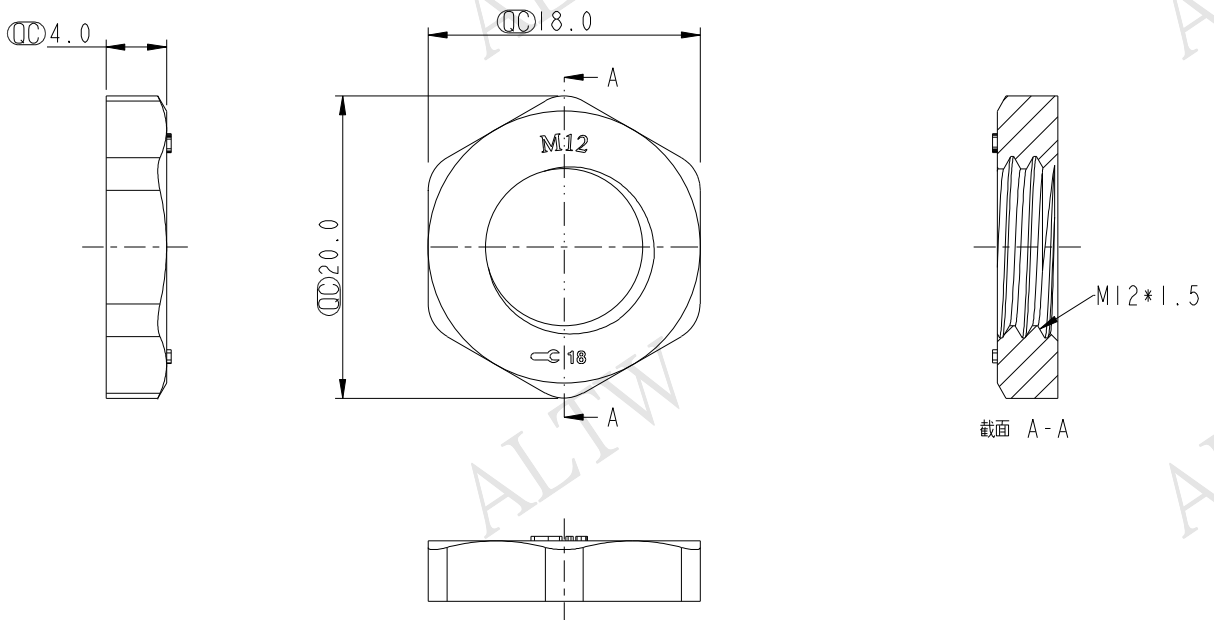


| | | | | |
|------|---------|------|------|-------------|
| REV. | ECN NO. | DATE | SIGN | DESCRIPTION |
| | | | | |



Note:
 * \varnothing Important Dimension.
 * Material: Nylon+GF
 * Color: Black

| | | | | | | | |
|------------|-------|---------------|------|---|-------------------|------------|------------|
| UNIT: mm | | TITLE | | | ITEM NO. | DRAWN BY | DATE |
| | | NUT (M12*1.5) | | | APTP-ABKPA012-001 | Jinhai | 2017-03-29 |
| | | SCALE | SIZE | SHEET | DWG NO. | CHECKED BY | DATE |
| TOLERANCE | ±0.25 | A4 | 1 | APTP-ABKPA012-001 | Feng-li | 2017-03-29 | |
| .X ±0.1 | | | | CUSTOMER | APPROVED BY | DATE | |
| .XX ±0.05 | | | | ALTW | Jerry | 2017-03-29 | |
| .XXX ±0.05 | | | | Amphenol LTW 安費諾亮泰企業股份有限公司 | | | |
| ANGLES ±1° | | | | 8 FMM10702-01-02A1 | | | |

THIS DOCUMENT IS SUBJECT TO CHANGE WITHOUT NOTICE. IT IS CONFIDENTIAL AND A PROPERTY OF AMPHENOL LTW. DISCLOSURE TO THIRD PARTY HAS TO BE AUTHORIZED BY AMPHENOL LTW.