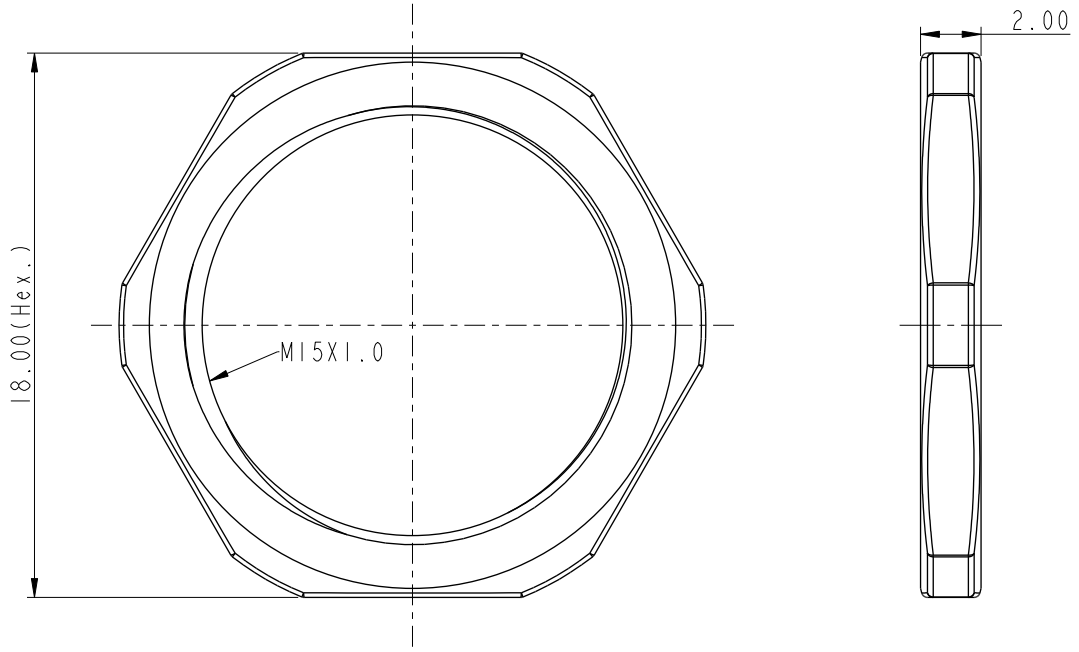


THIS DOCUMENT IS SUBJECT TO CHANGE WITHOUT NOTICE. IT IS CONFIDENTIAL AND A PROPERTY OF AMPHENOL LTW. DISCLOSURE TO THIRD PARTY HAS TO BE AUTHORIZED BY AMPHENOL LTW.

REV.	ECN NO.	DATE	SIGN	DESCRIPTION
A		2019-11-06	Allen Pan	Rev.01 To Rev.A



Note:  
 \* Material: Metal  
 \* Salt Spray: 96hr

UNIT: mm		TITLE M15 Screw Nut			ITEM NO. APTM-AMZPA015-002		DRAWN BY Allen Pan		DATE 2019-11-06	
		SCALE 4:1		SIZE A4	SHEET 1 OF 1		CHECKED BY Fred Lee		DATE 2019-11-06	
		REV. A	WC-REV. A.1	: Inspection item			CUSTOMER ALTW		APPROVED BY Fred Lee	

**Amphenol LTW**  
 安費諾亮泰企業股份有限公司