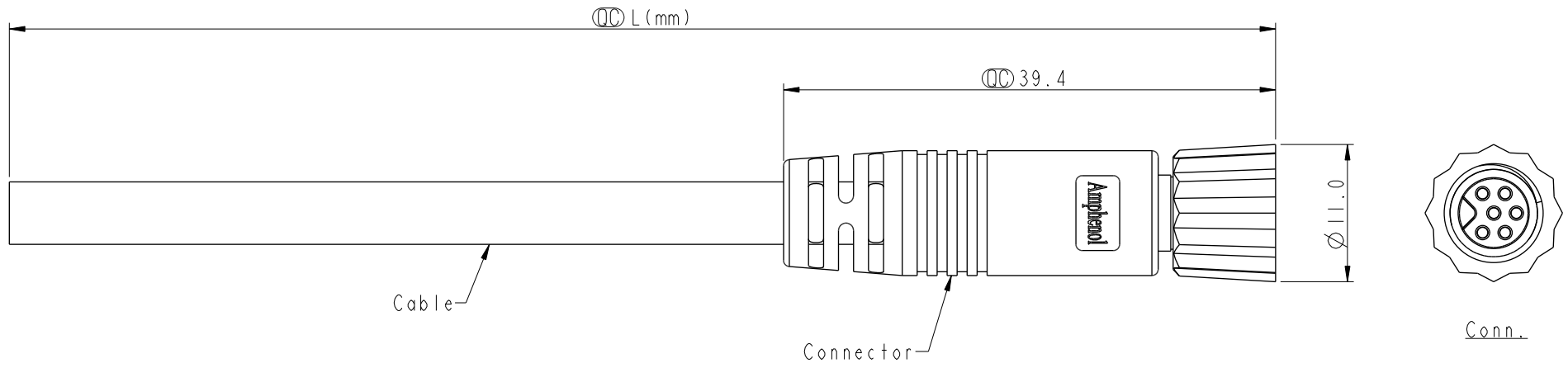


THIS DOCUMENT IS SUBJECT TO CHANGE WITHOUT NOTICE. IT IS CONFIDENTIAL AND A PROPERTY OF Amphenol LTW. DISCLOSURE TO THIRD PARTY HAS TO BE AUTHORIZED BY Amphenol LTW.

REV.	ECN NO.	DATE	SIGN	DESCRIPTION
B	C210625	2021/04/21	Vicky	$\triangle B$ X8



- $\triangle B$ Note:
- * RoHS Compliant
 - * CC Important dimension
 - * Waterproof rate: IPX7, mated
 - * Connector
 - Housing: Thermoplastic, Black
 - Pin: Copper alloy, Gold plated
 - O-Ring: Rubber, Green
 - Nut: Thermoplastic, Black
 - Outer mold: Thermoplastic, Black
 - * Cable: UL2464, PVC Jacket, Black
 - * Cable length tolerance:
 - 1M < L \leq 3M: +100/-0 mm
 - 3M < L \leq 5M: +150/-0 mm
 - 5M < L \leq 10M: \pm 100 mm
 - 10M < L \leq 20M: \pm 200 mm
 - 20M < L \leq 30M: \pm 300 mm
 - 30M < L \leq 99M: \pm 500 mm

UNIT: mm			TITLE O SEN, M8 W/KEY-PLASTIC CABLE W/SR, F, F, MOLDING	$\triangle B$
TOLERANCE ± 0.5 mm	SCALE 2:1	SIZE A4	SHEET 1 OF 2	REV. B
		WC-REV. A.4	CC : Inspection item	

Amphenol LTW
安費諾亮泰企業股份有限公司

ITEM NO	DRAWN BY Mila	DATE 2014-01-09
DWG NO $\triangle B$ 8AP-XXAFFM-SL7AXX	CHECKED BY Jimmy	DATE 2014-01-09
CUSTOMER ALTW	APPROVED BY Jerry	DATE 2014-01-09

THIS DOCUMENT IS SUBJECT TO CHANGE WITHOUT NOTICE. IT IS CONFIDENTIAL AND A PROPERTY OF Amphenol LTW. DISCLOSURE TO THIRD PARTY HAS TO BE AUTHORIZED BY Amphenol LTW.

1 2 3 4 5 6 7 8

△B
8AP-XXAFFM-SL7AXX

XX: No. Of Pin

XX: 01~99Meters
01: 01Meter
02: 02Meters
:
99: 99Meters

6P	5.0	24	8AP-06AFFM-SL7AXX
5P			8AP-05AFFM-SL7AXX
4P		22	8AP-04AFFM-SL7AXX
3P	8AP-03AFFM-SL7AXX		
2P	4.2		8AP-02AFFM-SL7AXX
△B Contacts	Cable OD	AWG	Item No.

Pin Out	2	1	4	3	2	1	5	4	3	2	1
	Red	Black	Black	Blue	White	Brown	Yellow	Orange	Red	Brown	Black
	紅	黑	黑	藍	白	棕	黃	橘	紅	棕	黑
	Wire	Wire	Wire	Wire	Wire	Wire	Wire	Wire	Wire	Wire	Wire
	Pin #	Pin #	Pin #	Pin #	Pin #	Pin #	Pin #	Pin #	Pin #	Pin #	Pin #

△B Pin Assignments Front View

UNIT:mm		TITLE O SEN, M8 W/KEY-PLASTIC CABLE W/SR, F, F, MOLDING	△B	<h2 style="margin: 0;">Amphenol LTW</h2> <p style="margin: 0;">安費諾亮泰企業股份有限公司</p>
TOLERANCE	±0.5mm	SCALE 2:1	SIZE A4	SHEET 2 OF 2
REV.	B	WC-REV.	A.4	☉: Inspection item

ITEM NO	DRAWN BY Mila	DATE 2014-01-09
DWG NO △B 8AP-XXAFFM-SL7AXX	CHECKED BY Jimmy	DATE 2014-01-09
CUSTOMER ALTW	APPROVED BY Jerry	DATE 2014-01-09

1 2 3 4 5 6 7 8 W10814-03-001A2