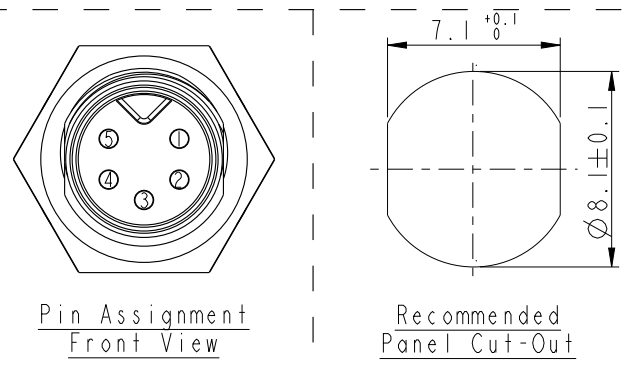
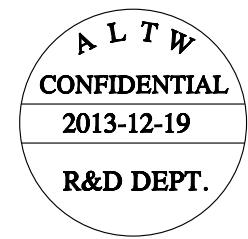
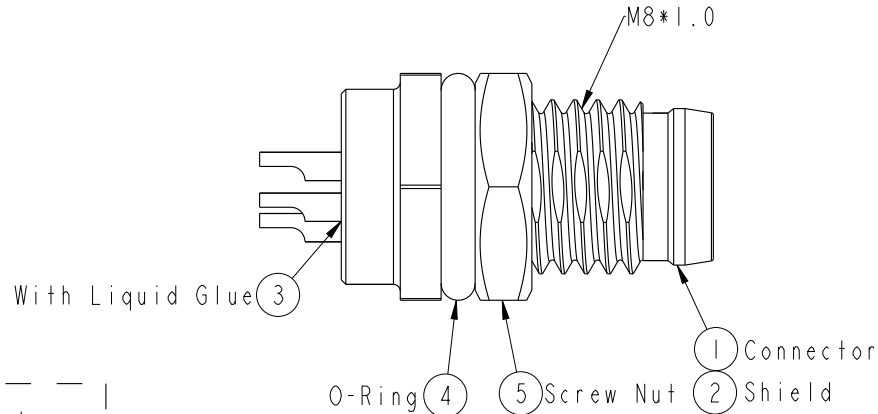
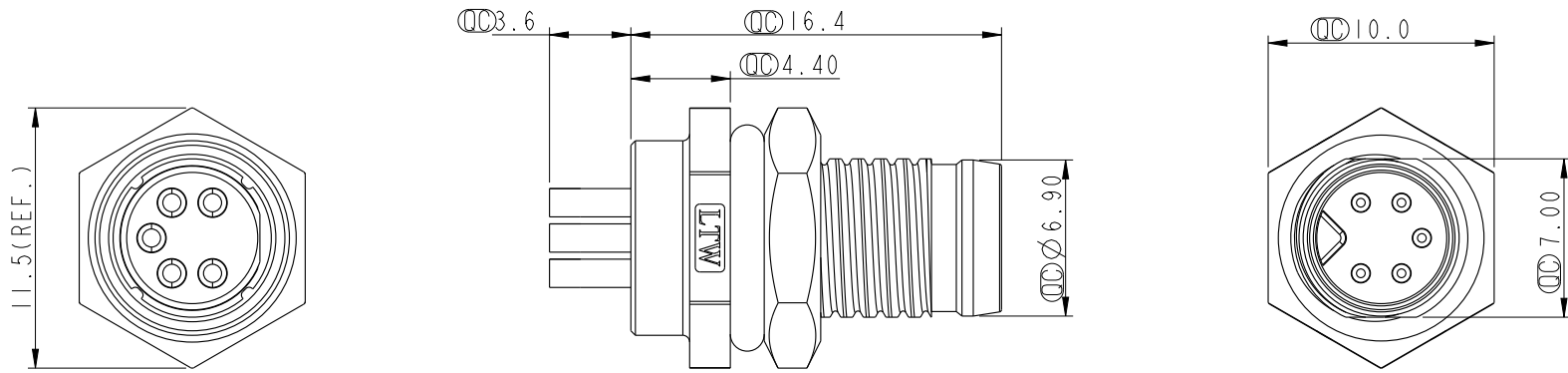


THIS DOCUMENT IS SUBJECT TO CHANGE WITHOUT NOTICE. IT IS CONFIDENTIAL AND A PROPERTY OF AMPHENOL LTW. DISCLOSURE TO THIRD PARTY HAS TO BE AUTHORIZED BY AMPHENOL LTW.

REV.	ECN NO.	DATE	SIGN	DESCRIPTION



Note:  
 \*  $\varnothing$  Important Dimension.  
 \* Waterproof Rate: IP67.  
 \* Housing: Nylon+GF, Black.  
 \* Male Pin: Copper Alloy, Gold Plated.  
 \* Shield: Zinc Alloy, Nickel Plated.  
 \* Screw Nut: Copper Alloy, Nickel Plated.  
 \* O-Ring: EPDM, Black.  
 \* For Panel Thickness Max 3.0mm.  
 \* Nut Torque: 4~6 kgf.cm.

UNIT:mm		TITLE	M8 5Pin Panel M Conn. M Pin		ITEM NO	8A-05PMMS-SF7001	DRAWN BY	Mila	DATE	2013-12-19	
		SCALE	3:1	SIZE	A4	DWG NO	8A-05PMMS-SF7001	CHECKED BY	Jimmy	DATE	2013-12-19
TOLERANCE	.X ±0.25	REV.	A	WC-REV.	A.3	CUSTOMER	ALTW	APPROVED BY	Jerry	DATE	2013-12-19
.XX ±0.1	.XXX ±0.05	<b>Amphenol LTW</b> 安費諾亮泰企業股份有限公司		$\varnothing$ : Inspection item							
ANGLES ±1°											