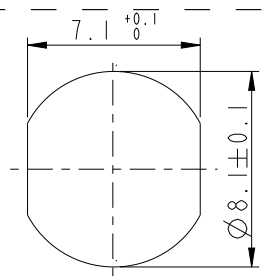
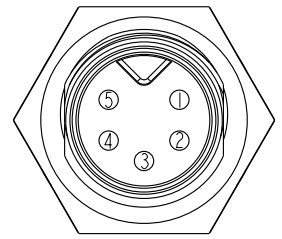
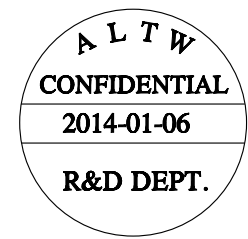
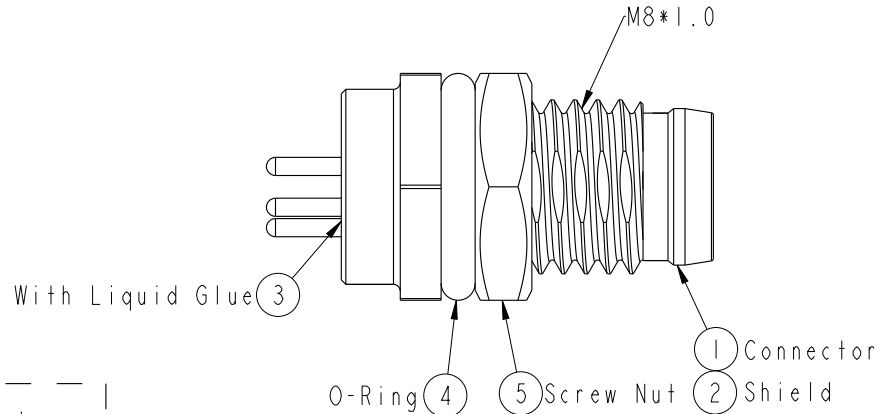
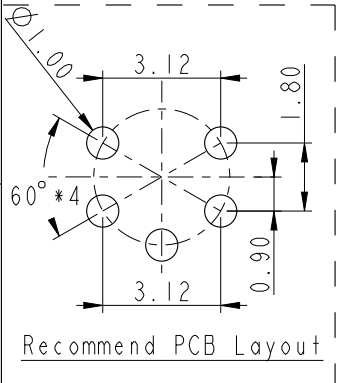
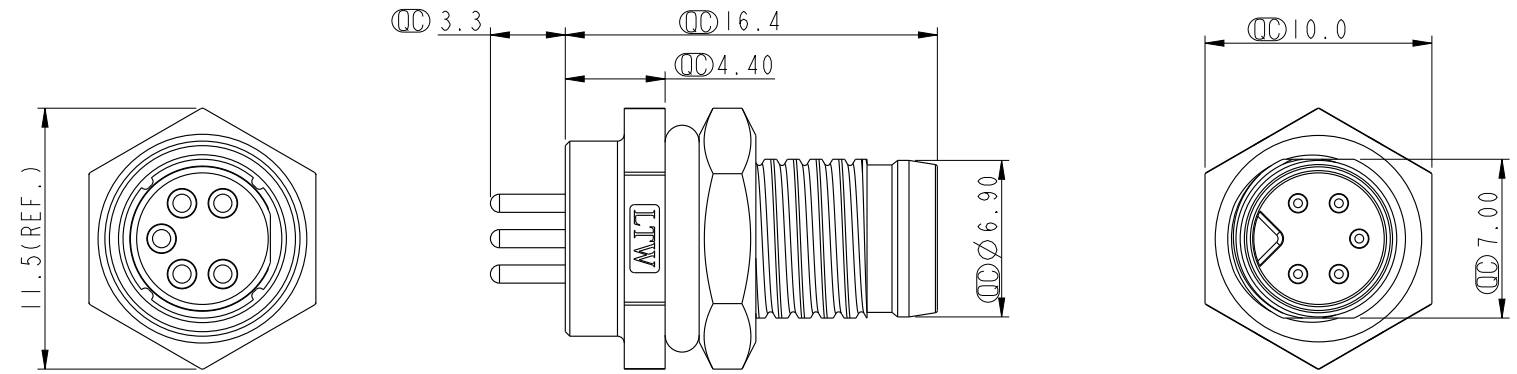


THIS DOCUMENT IS SUBJECT TO CHANGE WITHOUT NOTICE. IT IS CONFIDENTIAL AND A PROPERTY OF AMPHENOL LTW. DISCLOSURE TO THIRD PARTY HAS TO BE AUTHORIZED BY AMPHENOL LTW.

| REV. | ECN NO. | DATE | SIGN | DESCRIPTION |
|------|---------|------|------|-------------|
| | | | | |
| | | | | |
| | | | | |



- Note:
- * ⌀ Important Dimension.
 - * Waterproof Rate: IP67.
 - * Housing: Nylon+GF, Black.
 - * Male Pin: Copper Alloy, Gold Plated.
 - * Shield: Zinc Alloy, Nickel Plated.
 - * Screw Nut: Copper Alloy, Nickel Plated.
 - * O-Ring: EPDM, Black.
 - * For Panel Thickness Max 3.0mm.
 - * Nut Torque: 4~6 kgf.cm.

| | | |
|------------|----------|--|
| UNIT:mm | | |
| TOLERANCE | .X ±0.25 | |
| .XX ±0.1 | | |
| .XXX ±0.05 | | |
| ANGLES | ±1° | |

| | | | |
|--------------------------------------|----------------|--------------------|--|
| TITLE M8 5Pin Panel M Conn. M Pin | | | |
| SCALE 3:1 | SIZE A4 | SHEET 1 OF 1 | |
| REV. A | WC-REV. A.3 | ⌀: Inspection item | |

Amphenol LTW
安費諾亮泰企業股份有限公司

| | | |
|------------------------------|----------------------|--------------------|
| ITEM NO. 8A-05PMMP-SF7001 | DRAWN BY Mila | DATE 2014-01-06 |
| DWG NO. 8A-05PMMP-SF7001 | CHECKED BY Jimmy | DATE 2014-01-06 |
| CUSTOMER ALTW | APPROVED BY Jerry | DATE 2014-01-06 |

2 3 4 5 6 7 8

F

E

D

C

B

A

2 3 4 5 6 7 8

FW10702-01-02A1