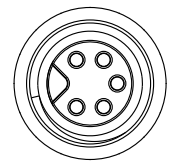
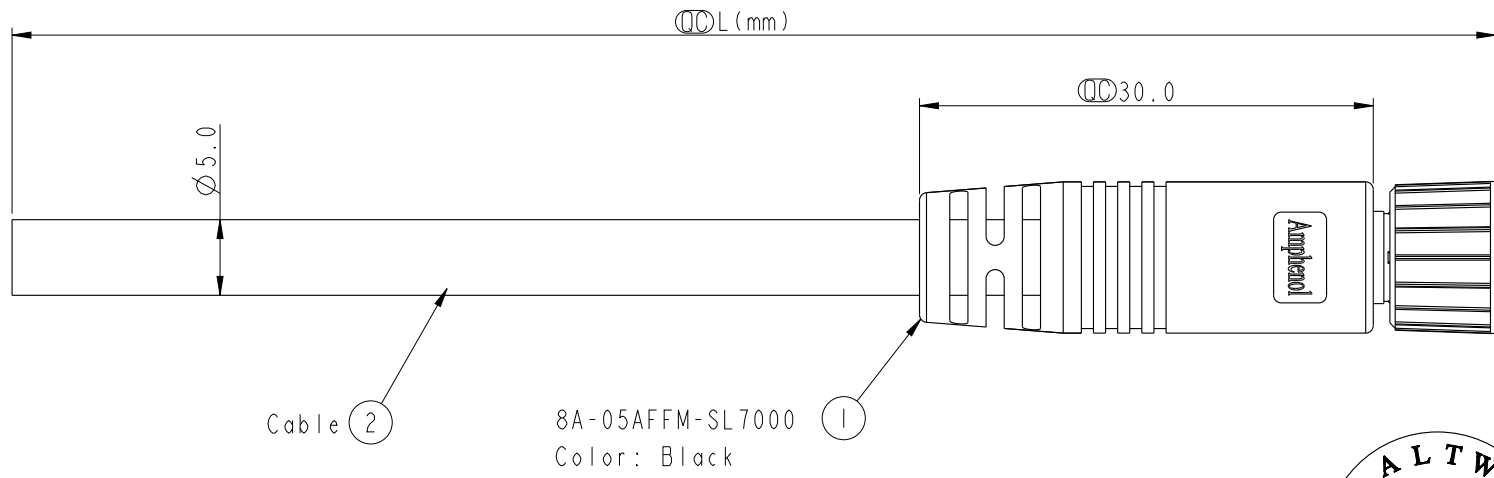
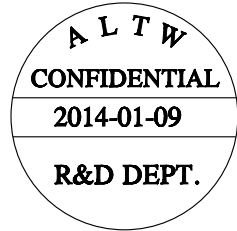


THIS DOCUMENT IS SUBJECT TO CHANGE WITHOUT NOTICE. IT IS CONFIDENTIAL AND A PROPERTY OF Amphenol LTW. DISCLOSURE TO THIRD PARTY HAS TO BE AUTHORIZED BY Amphenol LTW.

REV.	ECN NO.	DATE	SIGN	DESCRIPTION

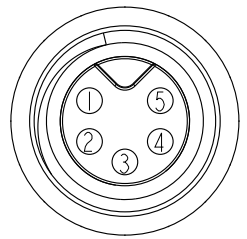


Conn.



8A-05AFFM-SL7AXX
 XX: 01~99Meters
 01: 01Meter
 02: 02Meter
 ...
 99: 99Meters
 Cable Length(L): 01~99Meters

- Note:
- * (CC) Important Dimension.
 - * Waterproof Rate: IP67.
 - * Connector: PU, Black.
 - * Female Pin: Copper Alloy, Gold Plated.
 - * Screw Nut: Zinc Alloy, Nickel Plated.
 - * O-Ring: Viton, Green.
 - * Cable: UL2464 24AWG*5C+Talcum, PVC Jacket, UV Resistant, OD=5.0, Black.
 - * Cable Length Tolerance:
 - 02~05M: ±60mm
 - 06~10M: ±100mm
 - 11~30M: ±200mm
 - 31~99M: ±500mm



Pin Assignments Front View

Pin Out	Wire Color
5	Yellow 黃
4	Orange 橘
3	Red 紅
2	Brown 棕
1	Black 黑
Conn.	Wire Color

UNIT:mm		TITLE
TOLERANCE	±0.5 mm	M8 5Pin Cable F Conn. F Pin
SCALE	2:1	SIZE
REV.	A	A4
WC-REV.	A.3	SHEET 1 OF 1
		CC: Inspection item

Amphenol LTW
 安費諾亮泰企業股份有限公司

ITEM NO	DRAWN BY	DATE
DWG NO	CHECKED BY	DATE
CUSTOMER	APPROVED BY	DATE
8A-05AFFM-SL7AXX	Mila	2014-01-09
ALTW	Jimmy	2014-01-09
	Jerry	2014-01-09