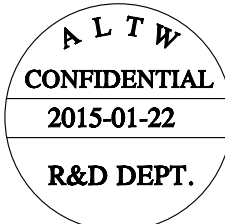
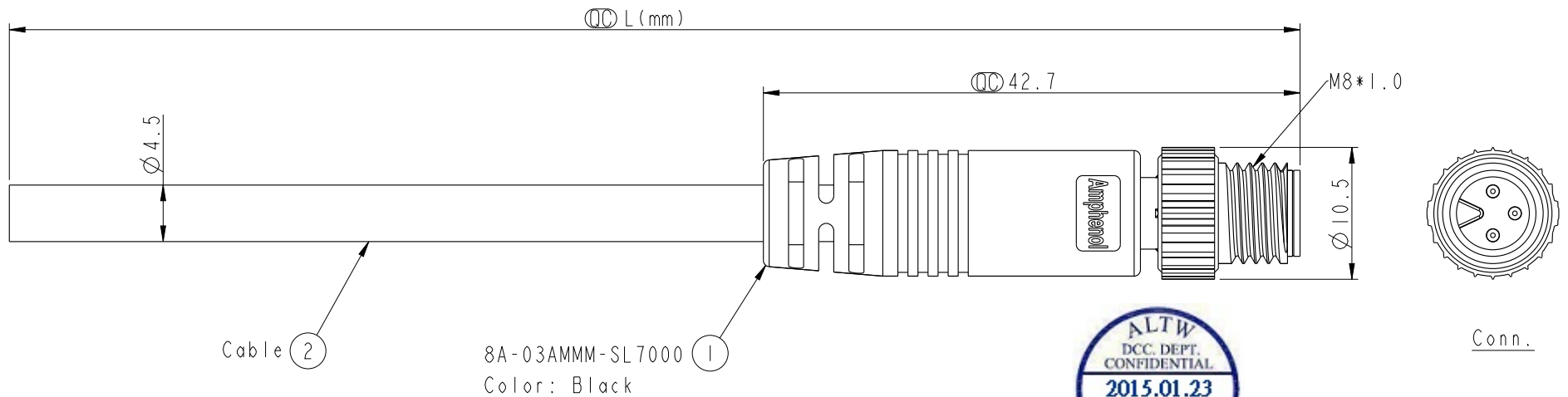


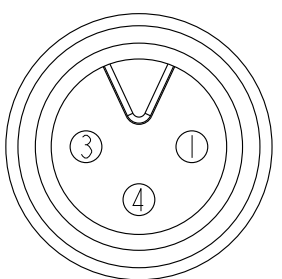
THIS DOCUMENT IS SUBJECT TO CHANGE WITHOUT NOTICE. IT IS CONFIDENTIAL AND A PROPERTY OF Amphenol LTW. DISCLOSURE TO THIRD PARTY HAS TO BE AUTHORIZED BY Amphenol LTW.

REV.	ECN NO.	DATE	SIGN	DESCRIPTION



8A-03AMMM-SL7BXX
 XX: 01~99Meters
 01: 01Meter
 02: 02Meter
 ...
 99: 99Meters
 Cable Length(L): 01~99Meters

- Note:
- * (CC) Important Dimension.
 - * Waterproof Rate: IP67.
 - * Connector: PU, Black.
 - * Male Pin: Copper Alloy, Gold Plated.
 - * Screw Nut: Zinc Alloy, Nickel Plated.
 - * Cable: 22AWG*3C+Talcum, PU Jacket, OD=4.5, Black.
 - * Cable Length Tolerance: 01M: ±40mm
 02~05M: ±60mm
 06~10M: ±100mm
 11~30M: ±200mm
 31~99M: ±500mm



4	Black 黑
3	Blue 藍
1	Brown 棕
Conn.	Wire Color

Pin Out

UNIT:mm TOLERANCE ±0.5 mm	TITLE M8 3Pin Cable M Conn. M Pin		<h1 style="text-align: center;">Amphenol LTW</h1> <h2 style="text-align: center;">安費諾亮泰企業股份有限公司</h2>		ITEM NO	DRAWN BY Tony_leng	DATE 2015-01-22
	SCALE 2:1	SIZE A4			SHEET 1 OF 1	DWG NO 8A-03AMMM-SL7BXX	CHECKED BY Jimmy
	REV. A	WC-REV. A.1	(CC): Inspection item	CUSTOMER ALTW	APPROVED BY Jerry	DATE 2015-01-22	