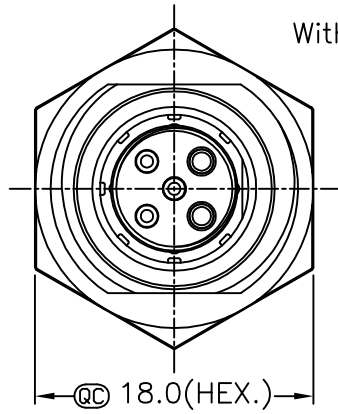
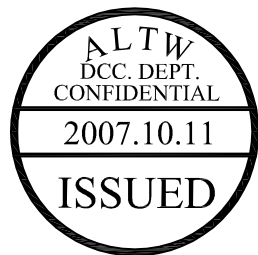
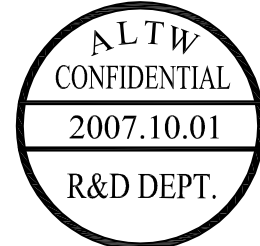
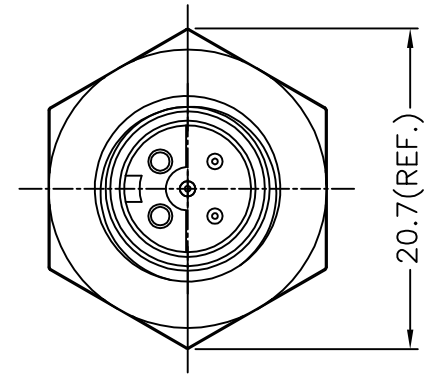
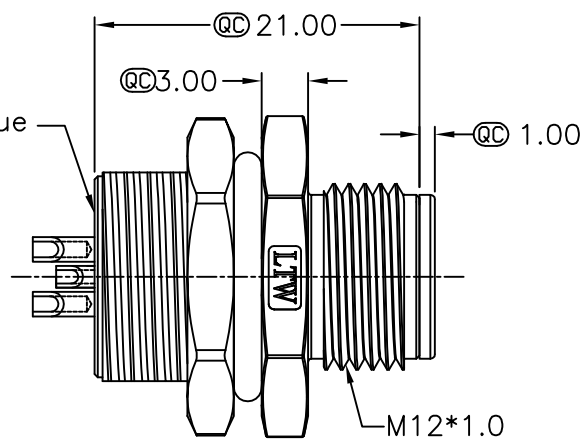


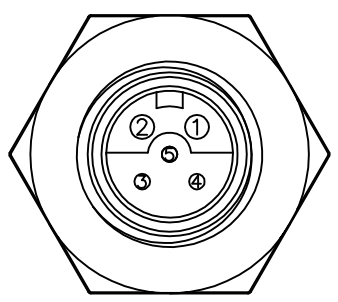
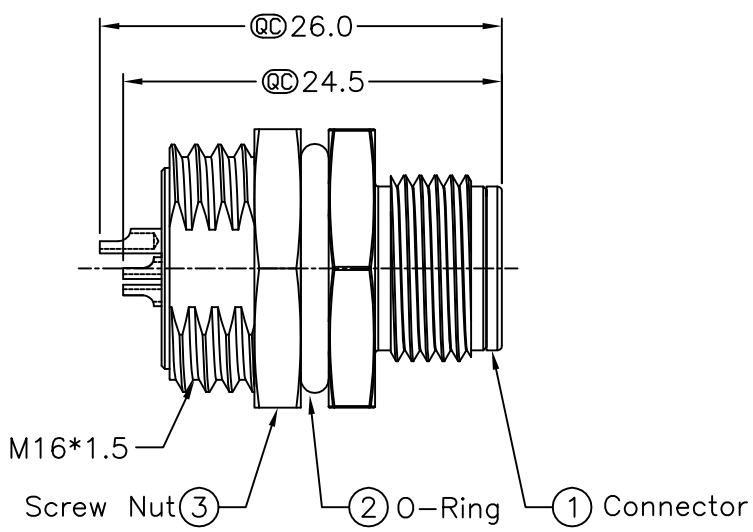
REV.	ECN NO.	DATE	SIGN	DESCRIPTION
B	LEN-7A0113	2007/10/01	Zeus	Added Note



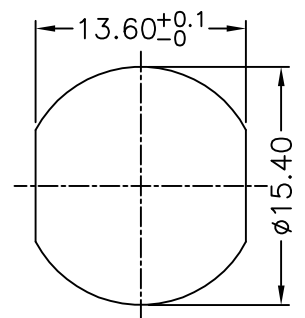
With Liquid Glue



- Note:
- \* @C Important Dimension.
  - \* Waterproof Rate: IP68
  - \* Housing: Black, Nylon+GF
  - \* Pin: Copper Alloy, Gold Plated
  - \* O-Ring : Black, EPDM
  - \* Nut: Zinc Alloy, Nickel Plated
  - \* Shield: Zinc Alloy, Nickel Plated
  - \* Liquid Glue: Clear
  - \* For Panel Thickness Max 4.5mm
  - \* Nut Torque: 4-6 kgf.cm



Pin Assignment Front View



Recommended Panel Cut-Out

UNIT:mm		TITLE		<b>Amphenol LTW</b> 安費諾亮泰企業股份有限公司	ITEM NO	12-05PMIS-SH8003	DRAWN BY	Zeus Bautista	DATE	2007/10/01	
		M12 Conn Panel Screw 5Pin M Conn C Pin			DWG NO	12-05PMIS-SH8003	CHECKED BY	Alan MJ Sundo	DATE	2007/10/02	
TOLERANCE	.X ±0.25	SCALE	Free	SHEET	1 OF 1	CUSTOMER	ALTW	APPROVED BY	Cloud	DATE	2007/10/04
.XX ±0.1	.XXX ±0.05	REV.	B	SIZE	A4						
ANGLES ±1°		@C : Inspection Item									

THIS DOCUMENT IS SUBJECT TO CHANGE WITHOUT NOTICE. IT IS CONFIDENTIAL AND A PROPERTY OF Amphenol LTW. DISCLOSURE TO THIRD PARTY HAS TO BE AUTHORIZED BY Amphenol LTW.