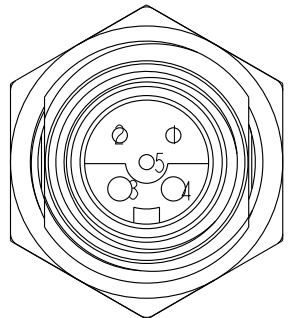
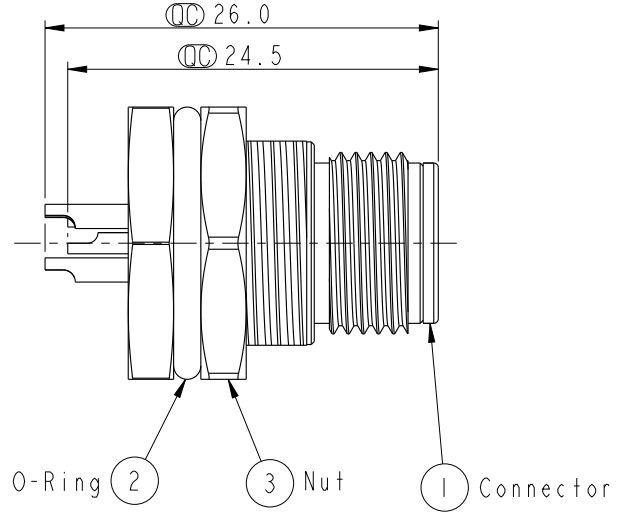
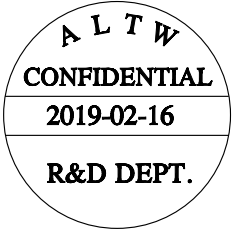
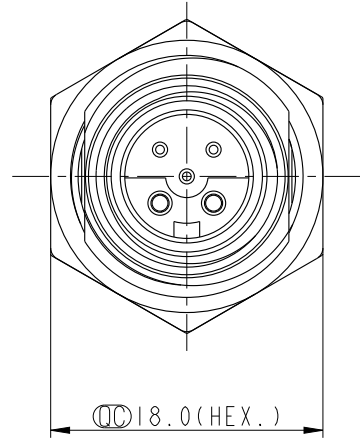
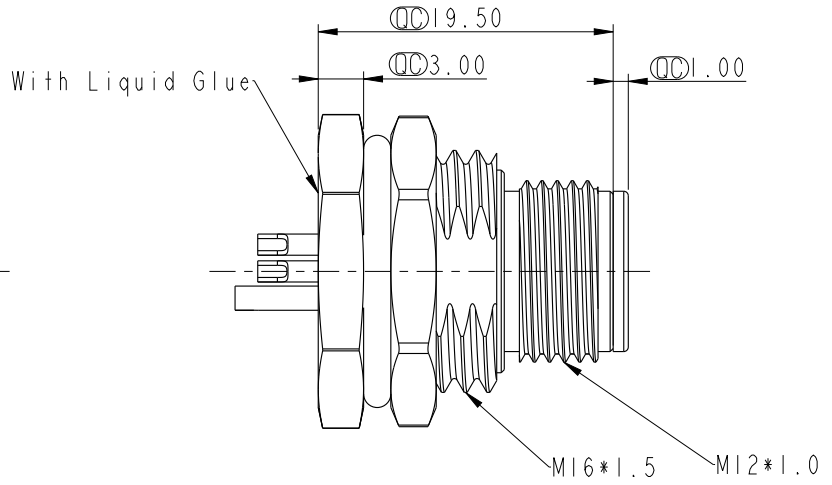
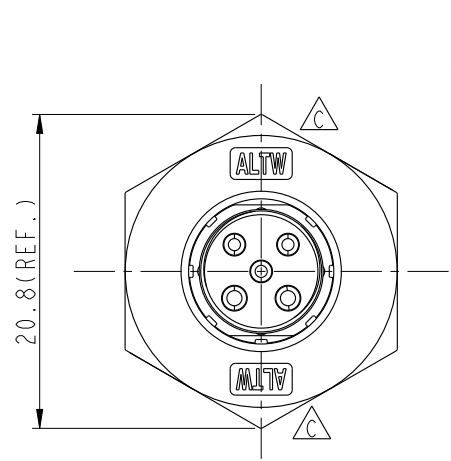
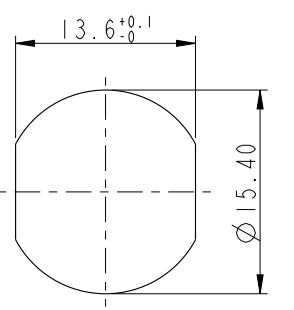


REV.	ECN NO.	DATE	SIGN	DESCRIPTION
B	LEN-7A0112	2006/10/01	Zeus	Added Note
C	C190182	2019/02/16	JC Chen	Updated The Logo



Pin Assignments
Front View



Recommended Panel Cut-Out

- Note:
- * \varnothing Important Dimension.
 - * Waterproof Rate: IP68
 - * Housing: Black, Nylon+GF
 - * Pin: Copper Alloy, Gold Plated
 - * O-Ring : Black, EPDM
 - * Nut: Zinc Alloy, Nickel Plated
 - * Shield: Zinc Alloy, Nickel Plated
 - * Liquid Glue: Clear
 - * For Panel Thickness Max 4.5mm
 - * Nut Torque: 4-6 kgf.cm



UNIT: mm		
TOLERANCE	.X ±0.25	
	.XX ±0.1	
	.XXX ±0.05	
ANGLES	±1°	

TITLE M12 Conn Panel Screw 5Pin M Conn C Pin			
SCALE 2:1	SIZE A4	SHEET 1 OF 1	
REV. C	WC-REV. A.3	\varnothing : Inspection item	

Amphenol LTW
安費諾亮泰企業股份有限公司

ITEM NO. 12-05PMIS-SF8003	DRAWN BY JC Chen	DATE 2019-02-16
DWG NO. 12-05PMIS-SF8003	CHECKED BY Li Feng	DATE 2019-02-16
CUSTOMER ALTW	APPROVED BY Jerry	DATE 2019-02-16

THIS DOCUMENT IS SUBJECT TO CHANGE WITHOUT NOTICE. IT IS CONFIDENTIAL AND A PROPERTY OF Amphenol LTW. DISCLOSURE TO THIRD PARTY HAS TO BE AUTHORIZED BY Amphenol LTW.