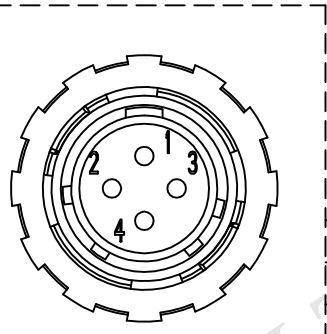
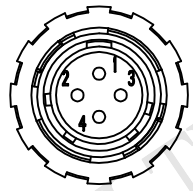
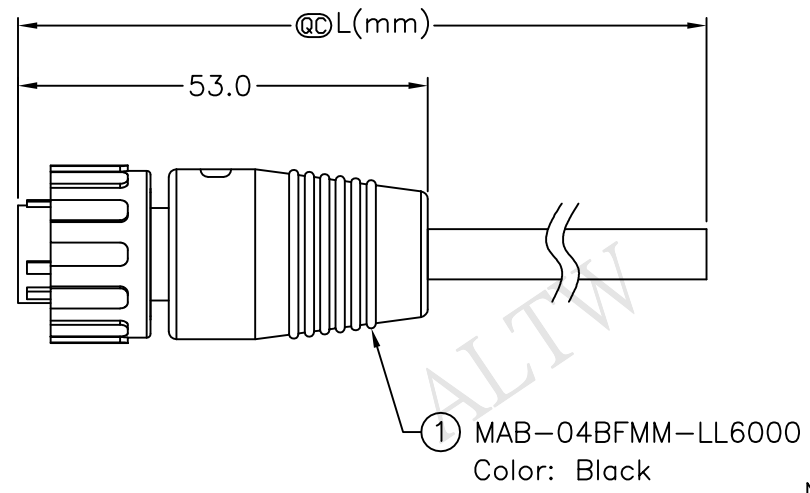
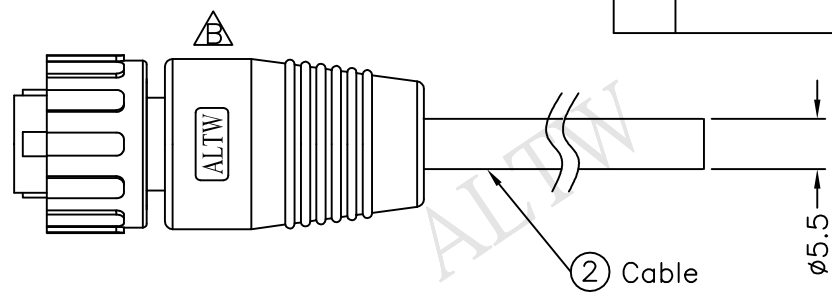


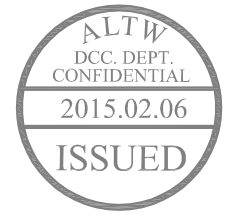
REV.	ECN NO.	DATE	SIGN	DESCRIPTION
A	Initial Release	2012/10/23	Ruru	MA17-04BFMM-LL6AXX To MAB-04BFMM-LL6AXX
B	LEN1520114~17	2015/01/30	Ruru	Change Logo



Pin Assignments
Front View 前視圖

1	Brown (20AWG)	棕
2	Blue (20AWG)	藍
3	Black (20AWG)	黑
4	White (20AWG)	白
Conn.	Wire Color	

MAB-04BFMM-LL6AXX
 ↑
 XX:01~99Meter
 01:01Meter
 02:02Meters
 ⋮
 99:99Meters
 Cable Length(L):01~99Meters



Note:

- * @C Important Dimensions
- * Waterproof Rate: IP66
- * Housing: Nylon+GF, Black
- * Lock Nut: Nylon+GF, Black
- * Male Pin: Copper Alloy, Gold Plated
- * Cable: UL2464 20AWG*4C+D+A
OD=5.5mm, Black
- * Cable Length Tolerance: 01M:±40mm
02M~05M:±60mm
06M~10M:±100mm
11M~30M:±200mm
31M~99M:±500mm

UNIT:mm		TITLE	CABLE 2LOCK 4P F CONN M PIN		ITEM NO	DRAWN BY	DATE
TOLERANCE	±0.5 mm	SCALE	Free	SHEET 1 OF 1	DWG NO	Ruru	2015/01/30
REV.	B	SIZE	A4	@C :Inspection Item	MAB-04BFMM-LL6AXX	CHECKED BY	Rita
					CUSTOMER	APPROVED BY	Win
					ALTW		DATE
							2015/01/30

Amphenol LTW
 安費諾亮泰企業股份有限公司

THIS DOCUMENT IS SUBJECT TO CHANGE WITHOUT NOTICE. IT IS CONFIDENTIAL AND A PROPERTY OF Amphenol LTW. DISCLOSE TO THIRD PARTY HAS TO BE AUTHORIZED BY Amphenol LTW.