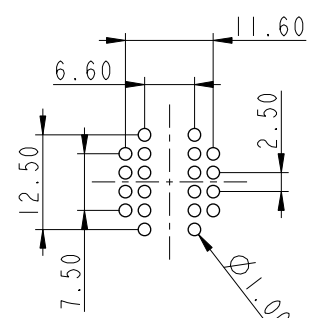
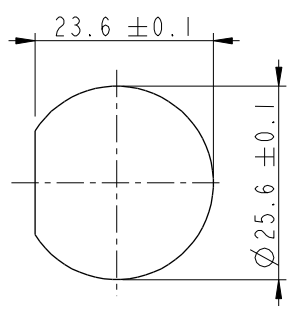


THIS DOCUMENT IS SUBJECT TO CHANGE WITHOUT NOTICE. IT IS CONFIDENTIAL AND A PROPERTY OF Amphenol LTW. DISCLOSURE TO THIRD PARTY HAS TO BE AUTHORIZED BY Amphenol LTW.

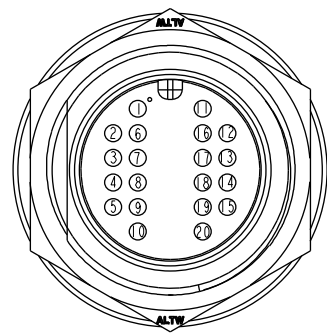
| REV. | ECN NO. | DATE | SIGN | DESCRIPTION |
|------|------------|------------|-------|------------------------------------|
| E | LEN1650012 | 2016/04/26 | Ruru | Modify Nut View & Logo & Dimension |
| F | LEN1840054 | 2018/04/12 | Ethan | Modify Panel Thickness |
| G | CI90314 | 2019/03/13 | Ruru | Modify Note |



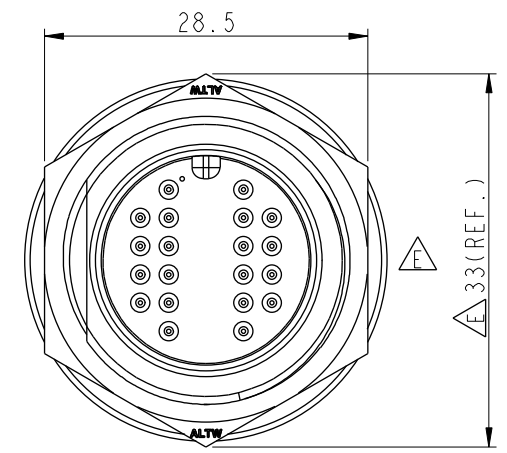
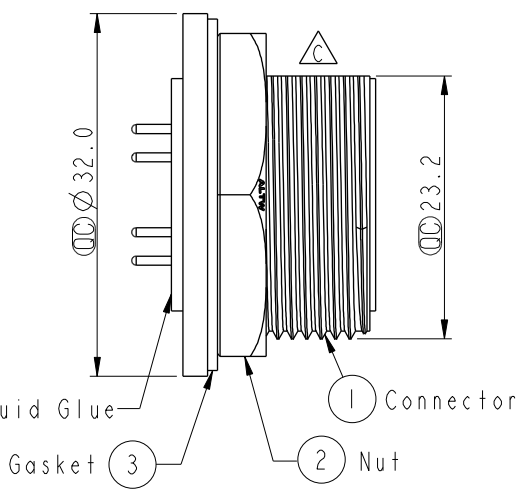
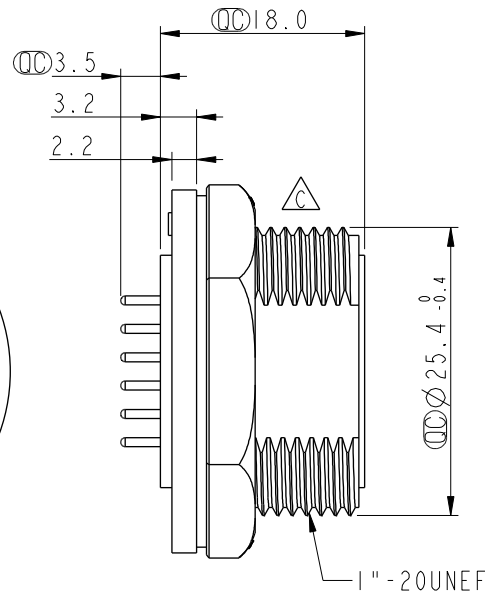
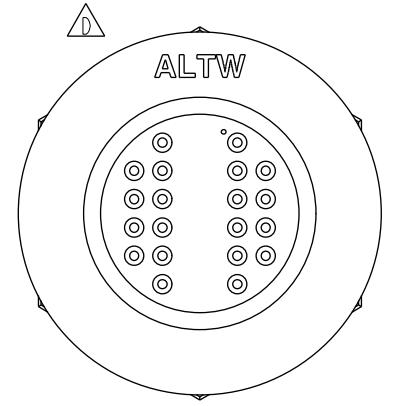
PCB Layout



Recommended Panel Cut-Out



Pin Assignments Front View



NOTE: $\triangle G$

- * ⌀ Important Dimension.
- * Waterproof Rate: IP67, Unmated
- * Housing: Thermoplastic, Black
- * Pin: Copper Alloy, Gold Plated
- * Nut: Thermoplastic, Black
- * Gasket: Rubber, Black

- $\triangle F$ * Use Waterproof Cap or Dust Cap
Panel Thickness Max: 1.8mm
- $\triangle F$ * Use without Waterproof Cap or Dust Cap
Panel Thickness Max: 3.0mm
- * Gasket and Nut are packed separately in PE bags.

| | |
|-----------|-------|
| UNIT:mm | |
| TOLERANCE | |
| .X | ±0.25 |
| .XX | ±0.1 |
| .XXX | ±0.05 |
| ANGLES | ±1° |

| | | | |
|--|----------------|------------------------------|--|
| TITLE Large, Panel Screw 20Pin M Conn M Pin | | | |
| SCALE 1:1 | SIZE A4 | SHEET 1 OF 1 | |
| REV. G | WC-REV. A.2 | ⌀ : Inspection item | |

Amphenol LTW
安費諾亮泰企業股份有限公司

| | | |
|----------------------------|--------------------|--------------------|
| ITEM NO DU-20PMP-SC7001 | DRAWN BY Ruru | DATE 2019-03-13 |
| DWG NO DU-20PMP-SC7001 | CHECKED BY Rita | DATE 2019-03-13 |
| CUSTOMER ALTW | APPROVED BY Max | DATE 2019-03-13 |