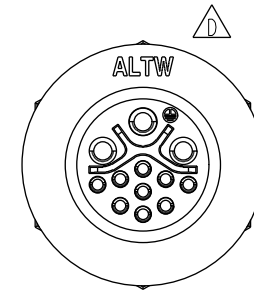
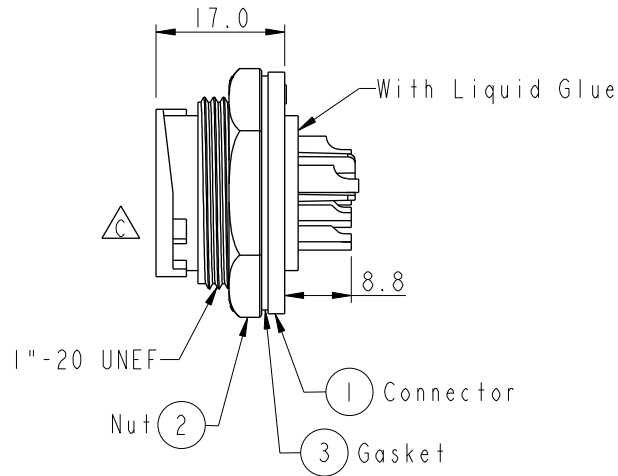
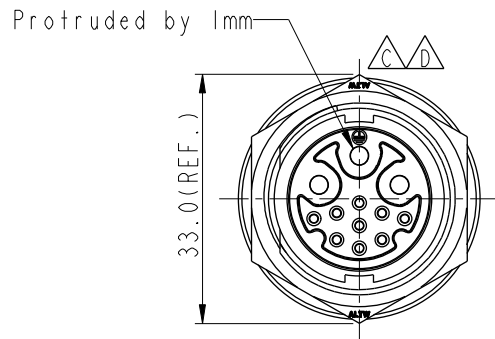
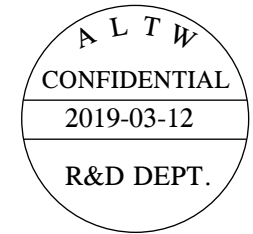
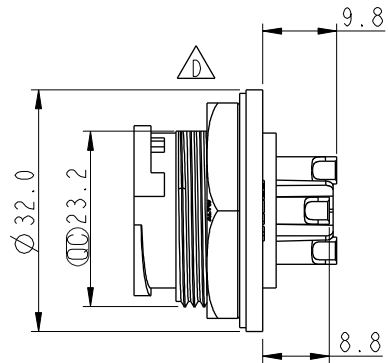
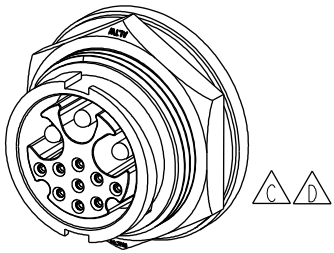
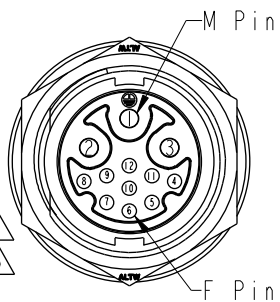


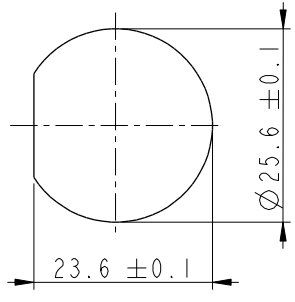
REV.	ECN NO.	DATE	SIGN	DESCRIPTION
D	LEN14C0332	2014/12/04	Sam	Update Logo.
E	LEN1550006	2015/04/30	Qiuwang	Update The Title
F	CI90314	2019/03/12	Ruru	Modify Note



- NOTE: $\triangle F$
- * CC Important Dimension To Check.
 - * Waterproof Rate: IP67, Unmated
 - * Housing: Thermoplastic, Black
 - * Pin: Copper Alloy, Gold Plated
 - * Nut: Thermoplastic, Black
 - * Gasket: Rubber, Black
 - * Use Waterproof Cap or Dust Cap
Panel Thickness Max: 3.0mm
 - * Use without Waterproof Cap or Dust Cap
Panel Thickness Max: 4.0mm
 - * Gasket and Nut are packed separately in PE bags.



Pin Assignments
Front View



Recommended
Panel Cut-Out

UNIT:mm		
TOLERANCE	.X ±0.25	
.XX ±0.1		
.XXX ±0.05		
ANGLES	±1°	

TITLE $\triangle E$ 3 M Pin(20A)+9 F Pin(5A) Panel Connector			
SCALE 1:1	SIZE A4	SHEET 1 OF 1	
REV. F	WC-REV. B.3	CC : Inspection item	

Amphenol LTW
安費諾亮泰企業股份有限公司

ITEM NO DCD-12PMES-LC7001	DRAWN BY Ruru	DATE 2019-03-12
DWG NO DCD-12PMES-LC7001	CHECKED BY Rita	DATE 2019-03-12
CUSTOMER ALTW	APPROVED BY Max	DATE 2019-03-12

THIS DOCUMENT IS SUBJECT TO CHANGE WITHOUT NOTICE. IT IS CONFIDENTIAL AND A PROPERTY OF AMPHENOL LTW. DISCLOSURE TO THIRD PARTY HAS TO BE AUTHORIZED BY AMPHENOL LTW.