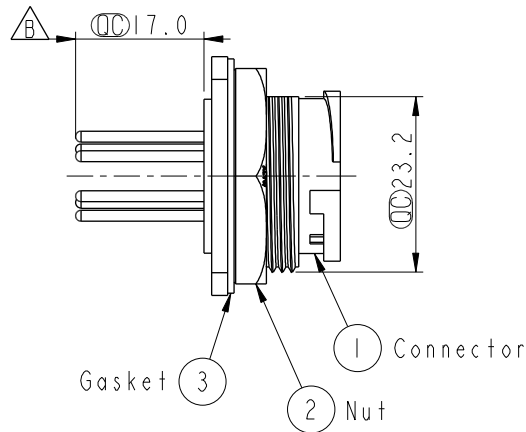
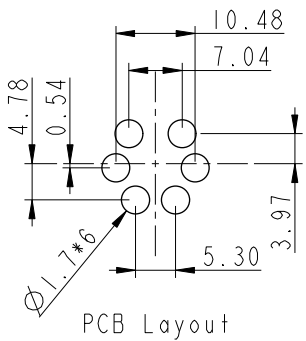
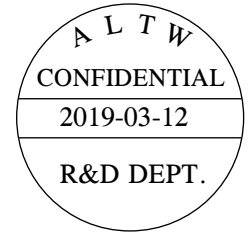
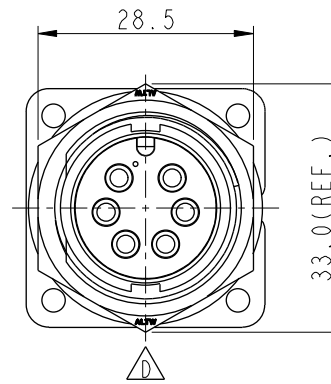
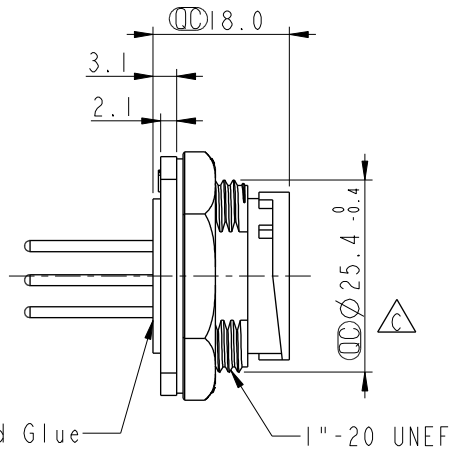
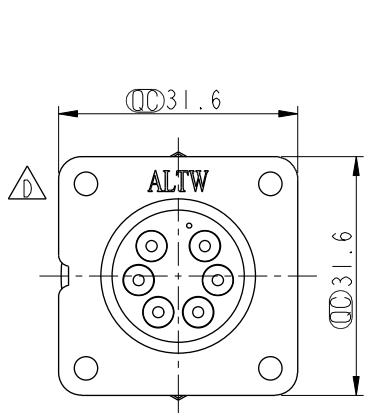
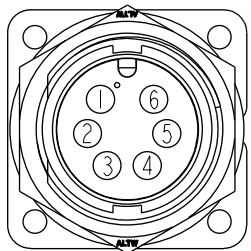


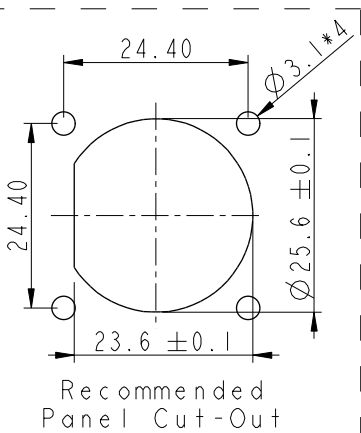
REV.	ECN NO.	DATE	SIGN	DESCRIPTION
C	LEN-8A0194	2008/09/16	Shin	Add Note
D	LEN1740954	2017/04/11	Vicky	Update Logo
E	CI90314	2019/03/12	Ruru	Modify Note



- Note: \triangle
- * CC Important Dimension
 - * Waterproof Rate: IP67, Unmated
 - * Housing: Thermoplastic, Black
 - * Pin: Copper Alloy, Gold Plated
 - * Nut: Thermoplastic, Black
 - * Gasket: Rubber, Black
 - \triangle * Use Waterproof Cap or Dust Cap
Panel Thickness Max: 3.0mm
 - \triangle * Use without Waterproof Cap or Dust Cap
Panel Thickness Max: 4.0mm
 - * Gasket and Nut are packed separately in PE bags.

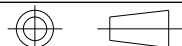


Pin Assignments
Front View



Recommended
Panel Cut-Out

UNIT:mm



TOLERANCE
.X ±0.25
.XX ±0.1
.XXX ±0.05
ANGLES ±1°

TITLE Large Panel Lock 6Pin M Conn M Pin			
SCALE 1:1	SIZE A4	SHEET 1 OF 1	
REV. E	WC-REV. A.4	CC : Inspection item	

Amphenol LTW
安費諾亮泰企業股份有限公司

ITEM NO DC-06PMMP-LS7001	DRAWN BY Ruru	DATE 2019-03-12
DWG NO DC-06PMMP-LS7001	CHECKED BY Rita	DATE 2019-03-12
CUSTOMER ALTW	APPROVED BY Max	DATE 2019-03-12

THIS DOCUMENT IS SUBJECT TO CHANGE WITHOUT NOTICE. IT IS CONFIDENTIAL AND A PROPERTY OF Amphenol LTW. DISCLOSURE TO THIRD PARTY HAS TO BE AUTHORIZED BY Amphenol LTW.