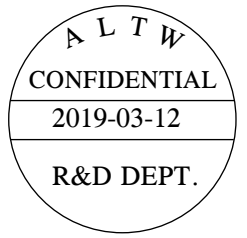
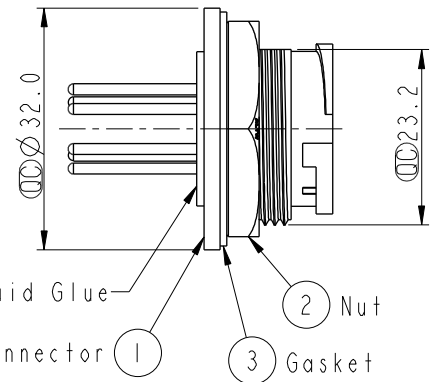
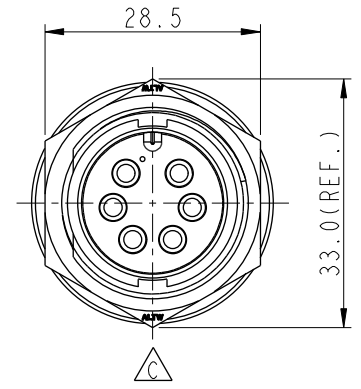
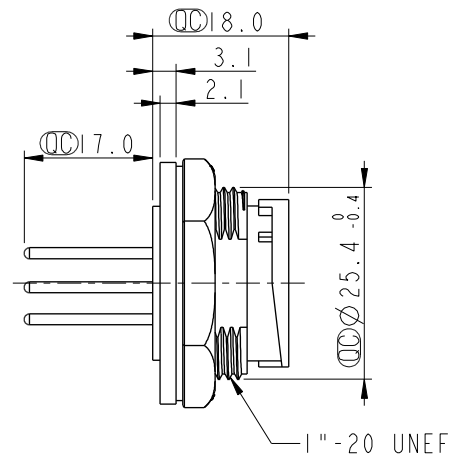
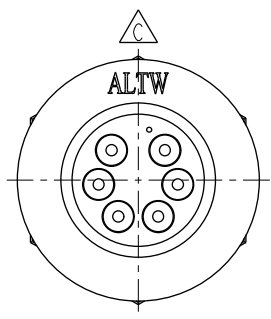
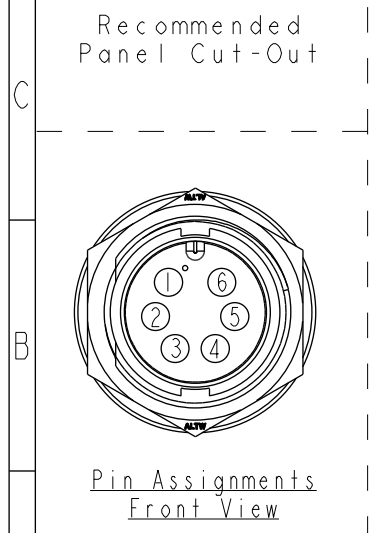
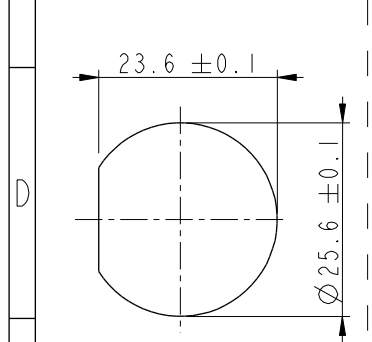
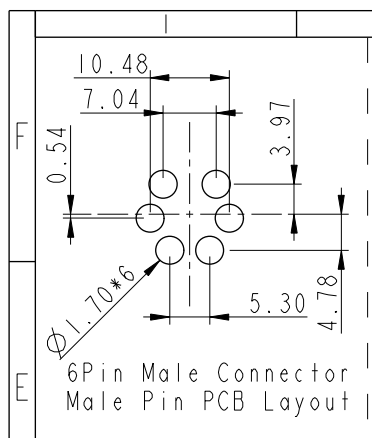


THIS DOCUMENT IS SUBJECT TO CHANGE WITHOUT NOTICE. IT IS CONFIDENTIAL AND A PROPERTY OF AMPHENOL LTW. DISCLOSURE TO THIRD PARTY HAS TO BE AUTHORIZED BY AMPHENOL LTW.

REV.	ECN NO.	DATE	SIGN	DESCRIPTION
B	LEN-8A0193	2008/09/15	Shin	Add Notes
C	LEN1740943	2017/04/10	Vicky	Update Logo
D	CI90314	2019/03/12	Ruru	Modify Note



- Note:
- * Important Dimension
 - * Waterproof Rate: IP67, Unmated
 - * Housing: Thermoplastic, Black
 - * Pin: Copper Alloy, Gold Plated
 - * Nut: Thermoplastic, Black
 - * Gasket: Rubber, Black
 - * Use Waterproof Cap or Dust Cap
Panel Thickness Max: 3.0mm
 - * Use without Waterproof Cap or Dust Cap
Panel Thickness Max: 4.0mm
 - * Gasket and Nut are packed separately in PE bags.

UNIT:mm		TITLE Lock Type Connector For Panel Mount 6Pin Male Connector Male Pin(20A)			Amphenol LTW 安費諾亮泰企業股份有限公司	ITEM NO DC-06PMMP-LC7001	DRAWN BY Ruru	DATE 2019/03/12
		SCALE 1:1	SIZE A4	SHEET 1 OF 1		DWG NO DC-06PMMP-LC7001	CHECKED BY Rita	DATE 2019/03/12
TOLERANCE .X ±0.25 .XX ±0.1 .XXX ±0.05 ANGLES ±1°		REV. D	WC-REV. A.3	Inspection item	CUSTOMER ALTW	APPROVED BY Max	DATE 2019/03/12	