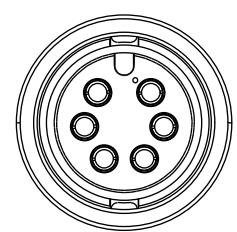
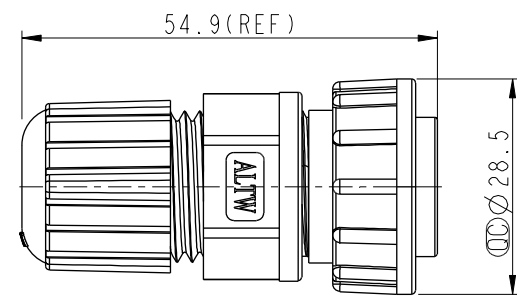
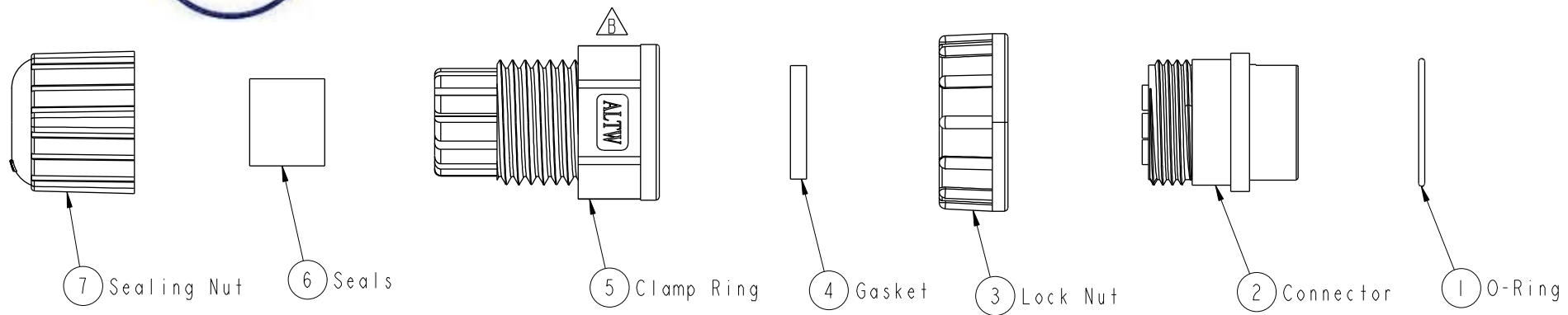


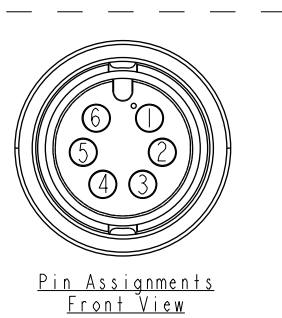
THIS DOCUMENT IS SUBJECT TO CHANGE WITHOUT NOTICE. IT IS CONFIDENTIAL AND A PROPERTY OF Amphenol LTW. DISCLOSURE TO THIRD PARTY HAS TO BE AUTHORIZED BY Amphenol LTW.

REV.	ECN NO.	DATE	SIGN	DESCRIPTION
B	LEN1741280	2017/04/20	Vicky	Update Logo



Conn.

- Note:
- * \varnothing Important Dimension
 - * Waterproof Rate: IP67
 - * Housing: Nylon+GF, Black
 - * Female Pin: Copper Alloy, Gold Plated
 - * Lock Nut: Nylon+GF, Black
 - * Gasket: EPDM, Black
 - * O-Ring: EPDM, Black
 - * Clamp Ring: Nylon, Black
 - * Sealing Nut: Nylon, Black
 - * Seals For Cable OD: $\varnothing 5.5\text{mm} \sim 10.8\text{mm}$
 - * One Set Unassembled In One PE Bag



UNIT: mm TOLERANCE .X ±0.25 .XX ±0.1 .XXX ±0.05 ANGLES ±1°	TITLE Large Assy Lock 6Pin F Conn F Pin			Amphenol LTW 安費諾亮泰企業股份有限公司	ITEM NO DC-06BFFA-LL7001	DRAWN BY Vicky	DATE 2017-04-20
	SCALE 1:1	SIZE A4	SHEET 1 OF 1		DWG NO DC-06BFFA-LL7001	CHECKED BY Rita	DATE 2017-04-20
	REV. B	WC-REV. A.2	\varnothing : Inspection item		CUSTOMER ALTW	APPROVED BY Max	DATE 2017-04-20
	F2 F3 F4				F6 F7 F8		