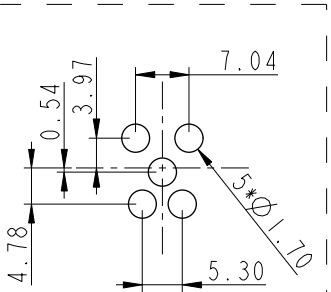
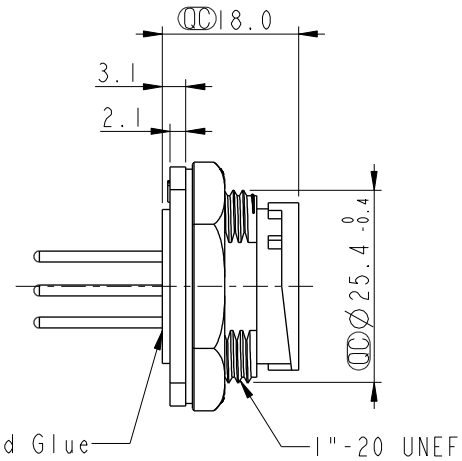
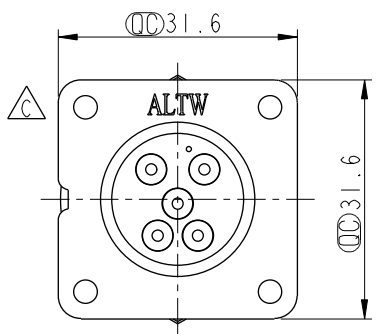


REV.	ECN NO.	DATE	SIGN	DESCRIPTION
B	LEN-8A0190	2008/09/15	Shin	Add Notes
C	LEN1740952	2017/04/11	Vicky	Update Logo
D	CI90310	2019/03/11	Ruru	Modify Note

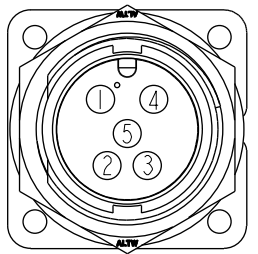
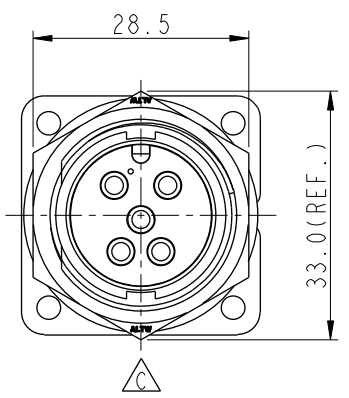
THIS DOCUMENT IS SUBJECT TO CHANGE WITHOUT NOTICE. IT IS CONFIDENTIAL AND A PROPERTY OF AMPHENOL LTW. DISCLOSURE TO THIRD PARTY HAS TO BE AUTHORIZED BY AMPHENOL LTW.



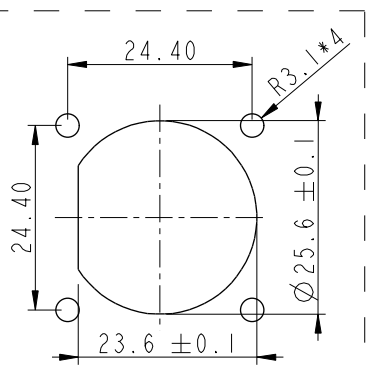
PCB Layout



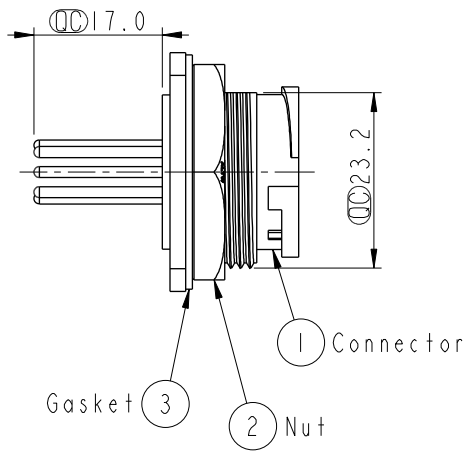
With Liquid Glue



Pin Assignments Front View



Recommended Panel Cut-Out



Note:

- * Important Dimension
- * Waterproof Rate: IP67, Unmated
- * Housing: Thermoplastic, Black
- * Pin: Copper Alloy, Gold Plated
- * Nut: Thermoplastic, Black
- * Gasket: Rubber, Black
- * Use Waterproof Cap or Dust Cap
Panel Thickness Max: 3.0mm
- * Use without Waterproof Cap or Dust Cap
Panel Thickness Max: 4.0mm
- * Gasket and Nut are packed separately in PE bags.

UNIT:mm	
TOLERANCE	
.X	±0.25
.XX	±0.1
.XXX	±0.05
ANGLES	±1°

TITLE Large Panel Lock 5Pin M Conn M Pin			
SCALE 1:1	SIZE A4	SHEET 1 OF 1	
REV. D	WC-REV. A.3	◎: Inspection item	

Amphenol LTW
安費諾亮泰企業股份有限公司

ITEM NO DC-05PMMP-LS7001	DRAWN BY Ruru	DATE 2019-03-11
DWG NO DC-05PMMP-LS7001	CHECKED BY Rita	DATE 2019-03-11
CUSTOMER ALTW	APPROVED BY Max	DATE 2019-03-11