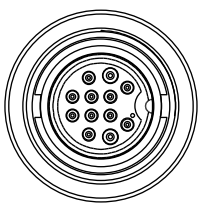
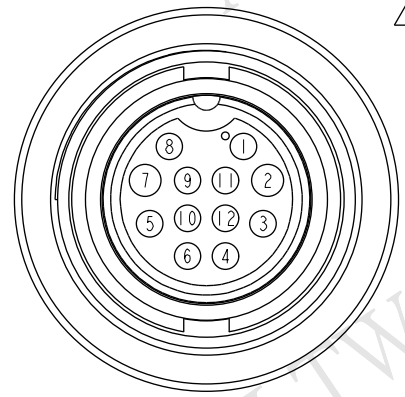
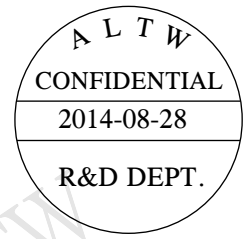
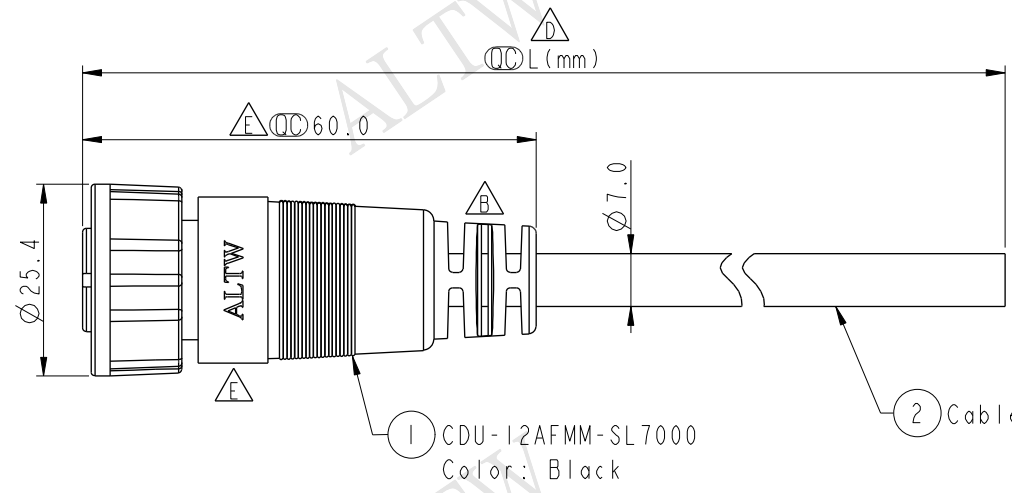


THIS DOCUMENT IS SUBJECT TO CHANGE WITHOUT NOTICE. IT IS CONFIDENTIAL AND A PROPERTY OF AMPHENOL LTW. DISCLOSURE TO THIRD PARTY HAS TO BE AUTHORIZED BY AMPHENOL LTW.

| REV. | ECN NO. | DATE | SIGN | DESCRIPTION |
|------|----------------|------------|------------|-------------------------|
| C | LEN-9C0065~068 | 2009/12/03 | Kevin | Change The Pin Out |
| D | LEN-030220~203 | 2010/03/24 | Li Xiu Zhi | Change Dimension |
| E | LEN1490081~084 | 2014/08/28 | Vicky | Update Logo & Dimension |



Conn.



Pin Assignments Front View

| | | |
|-------|-------------|---------|
| 12 | Light Green | 淺綠 |
| 11 | Pink | 粉紅 |
| 10 | White | 白 |
| 9 | Gray | 灰 |
| 8 | Purple | 紫 |
| 7 | Blue | 藍 |
| 6 | Green | 綠 |
| 5 | Yellow | 黃 |
| 4 | Orange | 橘 |
| 3 | Red | 紅 |
| 2 | Brown | 棕 |
| 1 | Black | 黑 |
| Conn. | Wire Color | Pin Out |

CDU-12AFMM-SL7AXX

- XX :01~99Meters
- 01 :01Meter
- 02 :02Meters
- ...
- 99 :99Meters

Cable Length(L):01~99Meters

Note:

- * CC Important Dimension To Check
- * Waterproof Rate: IP67
- * Housing: Nylon+GF, Black
- * Male Pin: Copper Alloy, Gold Plated
- * Screw Nut: Nylon+GF, Black
- * O-Ring: EPDM, Black
- * Cable: UL2464 24AWG*12C+Drain+Al/My, Black,PVC Jacket,UV Resistant,OD=7.0
- * Cable Length Tolerance:
 - 01M:±40mm
 - 02M~05M:±60mm
 - 06M~10M:±100mm
 - 11M~30M:±200mm
 - 31M~99M:±500mm

| | |
|-----------|---------|
| UNIT:mm | |
| TOLERANCE | ±0.5 mm |

| | | | |
|--|----------------|-------------------------------|--|
| TITLE Middle Cable Screw 12Pin F Conn M Pin | | | |
| SCALE 1:1 | SIZE A4 | SHEET 1 OF 1 | |
| REV. E | WC-REV. A.1 | CC : Inspection item | |

Amphenol LTW
安費諾亮泰企業股份有限公司

| | | | | | | |
|---------|-------------------|----------|----------|------------|-------------|------------|
| ITEM NO | DWG NO | CUSTOMER | DRAWN BY | CHECKED BY | APPROVED BY | DATE |
| | CDU-12AFMM-SL7AXX | ALTW | Vicky | Sam | Rita | 2014-08-28 |