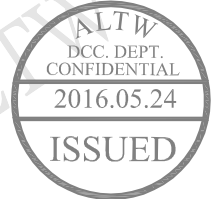
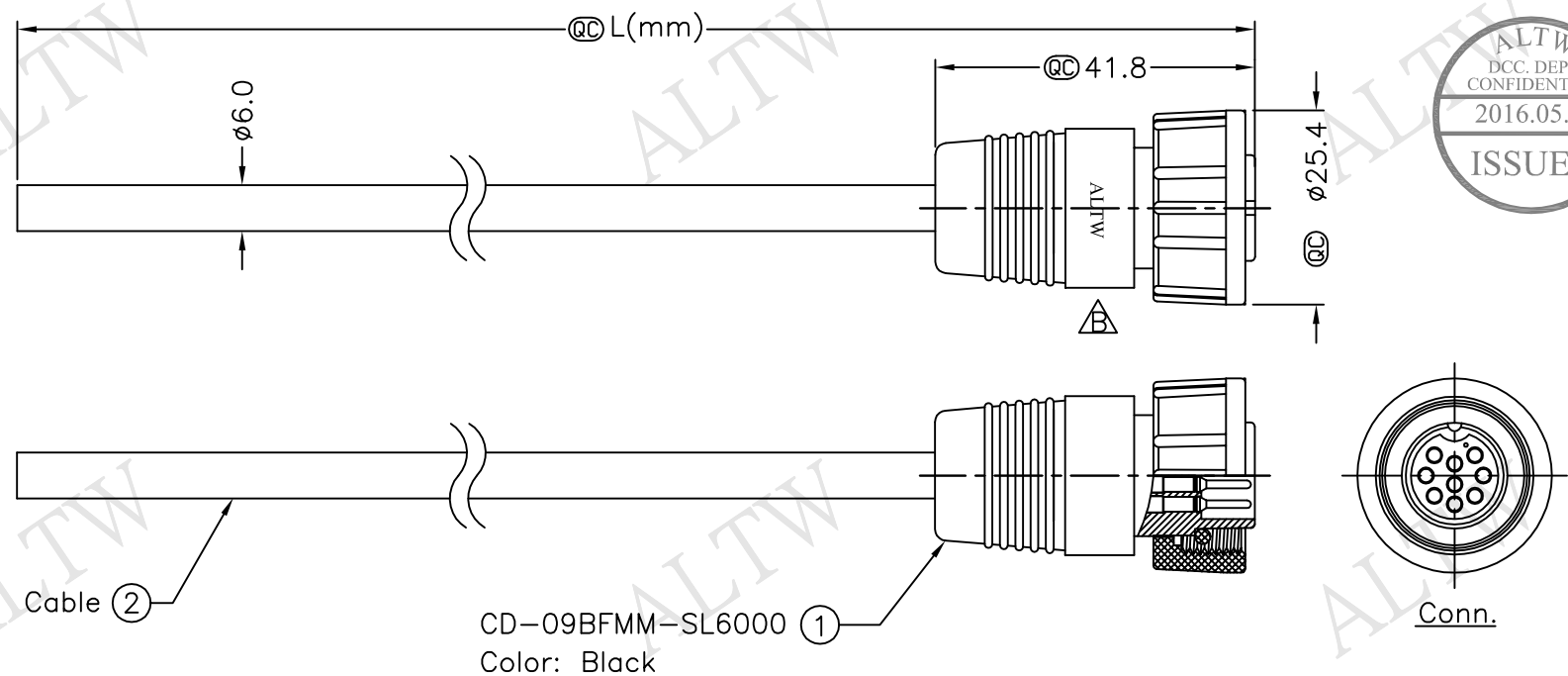


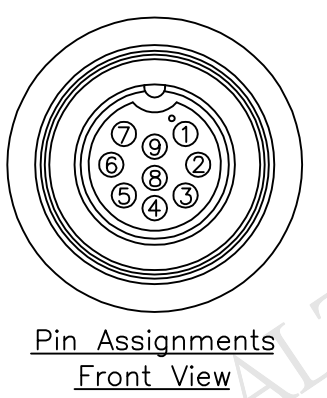
REV.	ECN NO.	DATE	SIGN	DESCRIPTION
B	LEN1650606~610	2016/05/17	Ruru	Change Logo & Note

THIS DOCUMENT IS SUBJECT TO CHANGE WITHOUT NOTICE. IT IS CONFIDENTIAL AND A PROPERTY OF Amphenol LTW. DISCLOSURE TO THIRD PARTY HAS TO BE AUTHORIZED BY Amphenol LTW.



CD-09BFMM-SL6AXX
 XX: 01~99Meter
 01: 01Meter
 02: 02Meters
 :
 :
 99: 99Meters
 Cable Length(L): 01~99Meters

- Note:
- * @C Important Dimension To Check.
 - * Waterproof Rate: IP66
 - * Housing: Nylon+GF, Black
 - * Male Pin: Copper Alloy, Gold Plated
 - * Cable: UL2464 24AWG*9C+Drain+Al/My (UV Resistant) OD=6.0mm
 - * Cable Length Tolerance: 01M: ±40mm
 02M~05M: ±60mm
 06M~10M: ±100mm
 11M~30M: ±200mm
 31M~99M: ±500mm



9	Black	黑
8	Red	紅
7	Pink	粉紅
6	Grey	灰
5	Yellow	黃
4	Green	綠
3	White	白
2	Blue	藍
1	Brown	棕
Conn.	Wire Color	Pin Out

UNIT:mm		TITLE	Middle, Cable Screw 9Pin F Conn M Pin		Amphenol LTW	ITEM NO		DRAWN BY	Ruru	DATE	2016/05/17
TOLERANCE	±0.5 mm	SCALE	Free	SHEET 1 OF 1	安費諾亮泰企業股份有限公司	DWG NO	CD-09BFMM-SL6AXX	CHECKED BY	Rita	DATE	2016/05/17
REV.	B	SIZE	A4	@C :Inspection Item		CUSTOMER	ALTW	APPROVED BY	Lisa	DATE	2016/05/17