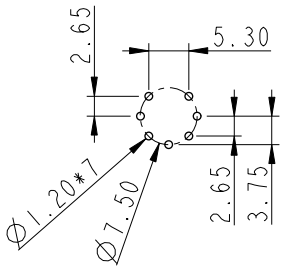
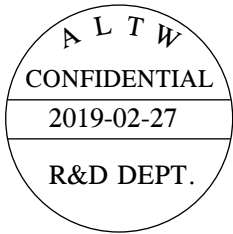
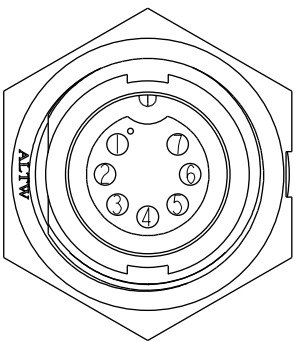
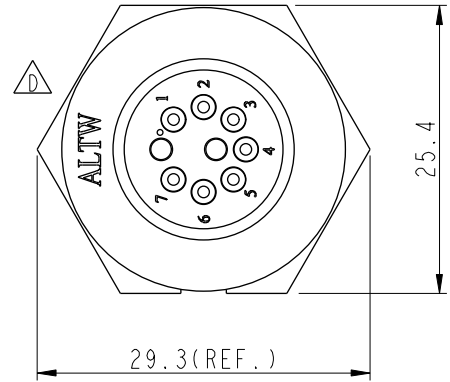
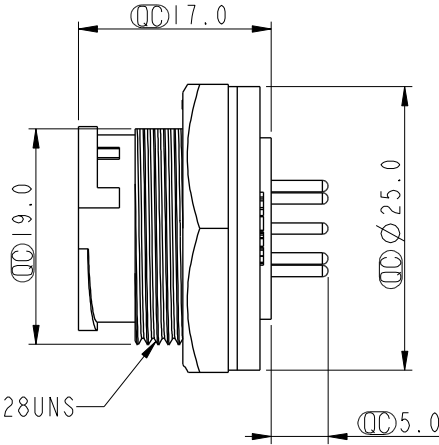
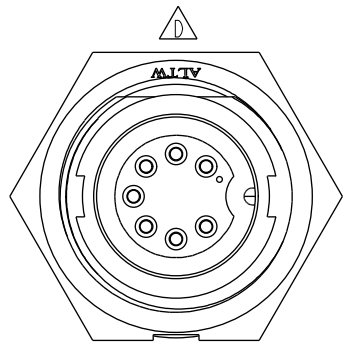


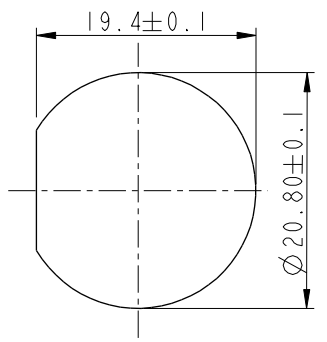
REV.	ECN NO.	DATE	SIGN	DESCRIPTION
C	LEN-8B0174	2008/11/04	Ivan	Update the notes
D	LEN1630496	2016/03/15	Ruru	Change Logo
E	CI90271	2019/02/27	Ruru	Modify Note



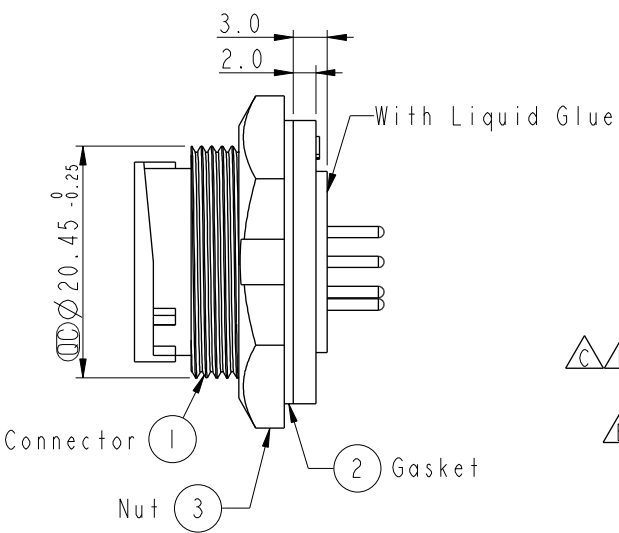
7Pin Male Connector
Female Pin PCB Layout



Pin Assignments
Front View



Recommended Panel Cut-Out



- Note: $\triangle E$
- * ⌀ Important Dimension To Check.
 - * Waterproof Rate: IP67, Unmated
 - * Housing: Thermoplastic, Black
 - * Pin: Copper Alloy, Gold Plated
 - * Nut: Thermoplastic, Black
 - * Gasket: Rubber, Black
 - $\triangle C \triangle B$ * Use with waterproof cap or dust cap
For Panel Thickness Max: 3.0mm
 - $\triangle B$ * Use without waterproof cap or dust cap
For Panel Thickness Max: 4.0mm
 - * Gasket and Nut are packed separately
in PE bags.

UNIT:mm		
TOLERANCE	.X ±0.25	
	.XX ±0.1	
	.XXX ±0.05	
ANGLES	±1°	

TITLE Middle Panel Lock 7Pin M Conn F Pin			
SCALE 1:1	SIZE A4	SHEET 1	OF 1
REV. E	WC-REV. A.3	⌀ : Inspection item	

Amphenol LTW
安費諾亮泰企業股份有限公司

ITEM NO. CD-07PMFP-LC7001	DRAWN BY Ruru	DATE 2019-02-27
DWG NO. CD-07PMFP-LC7001	CHECKED BY Rita	DATE 2019-02-27
CUSTOMER ALTW	APPROVED BY Max	DATE 2019-02-27

THIS DOCUMENT IS SUBJECT TO CHANGE WITHOUT NOTICE. IT IS CONFIDENTIAL AND A PROPERTY OF AMPHENOL LTW. DISCLOSURE TO THIRD PARTY HAS TO BE AUTHORIZED BY AMPHENOL LTW.